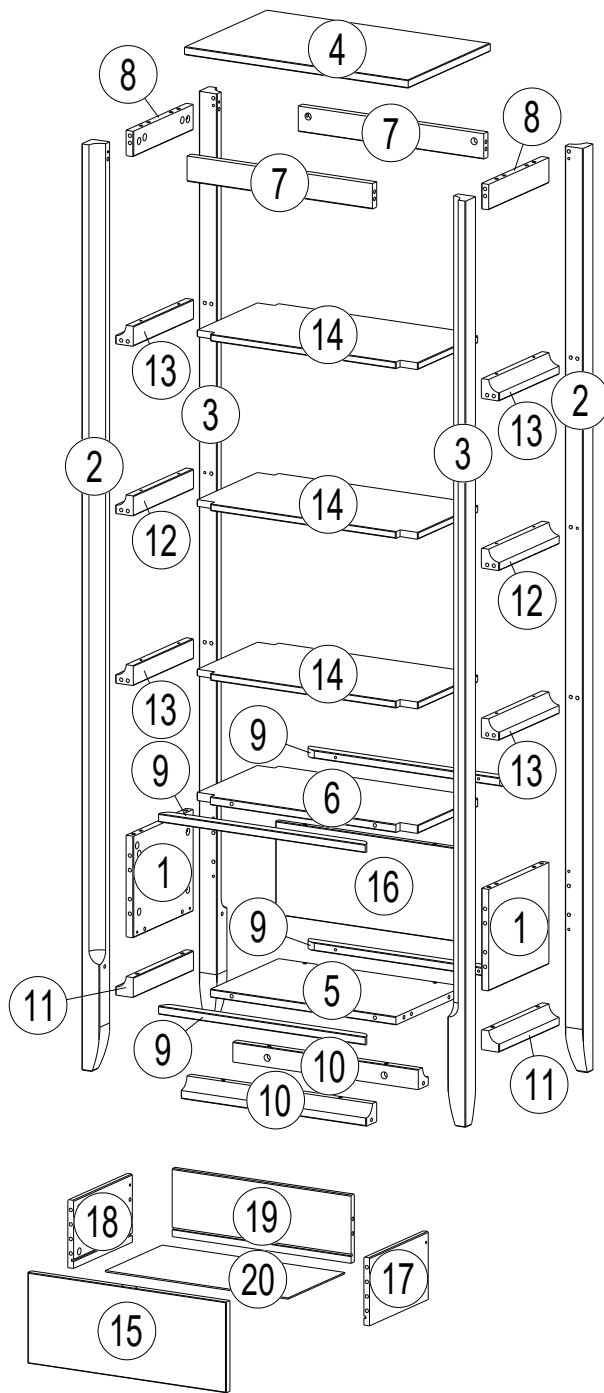
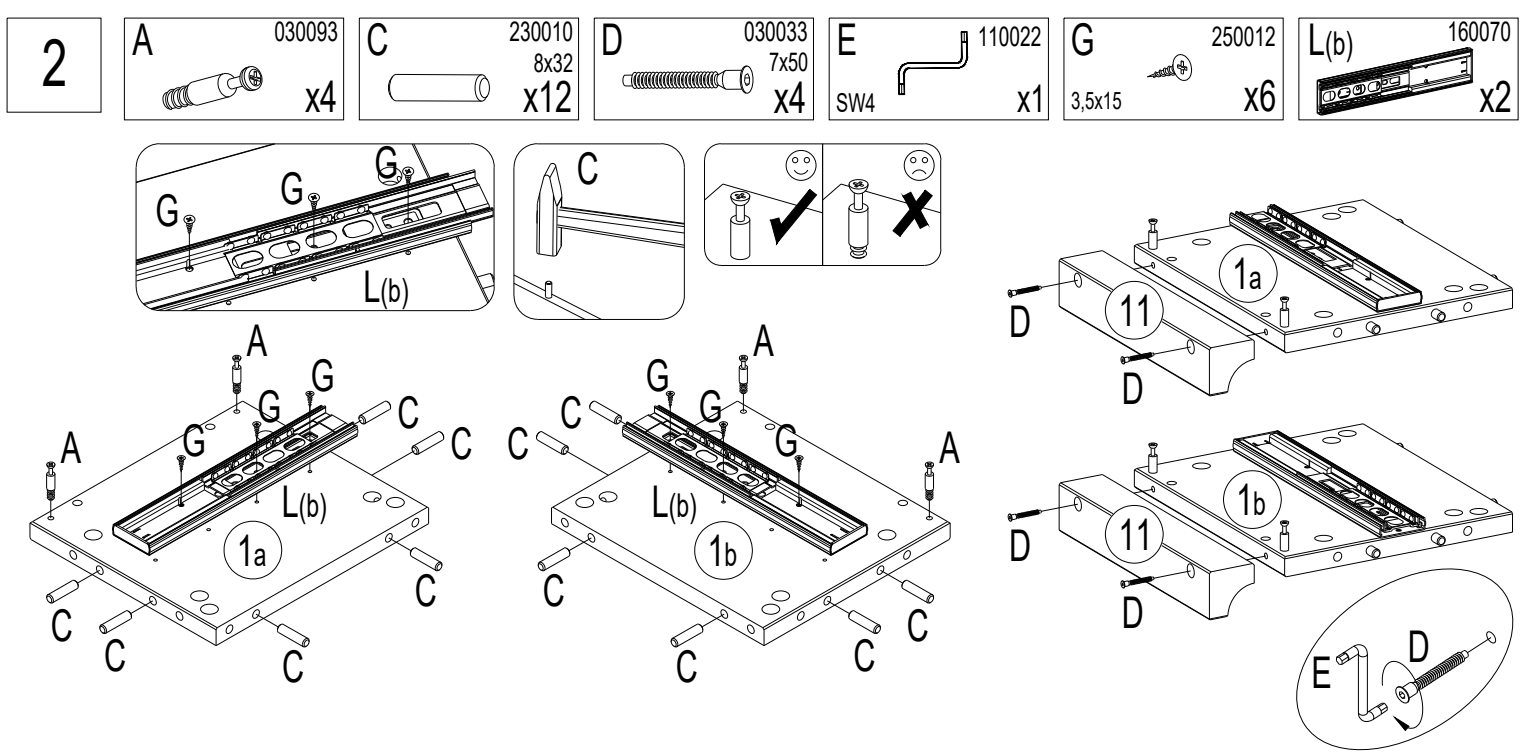
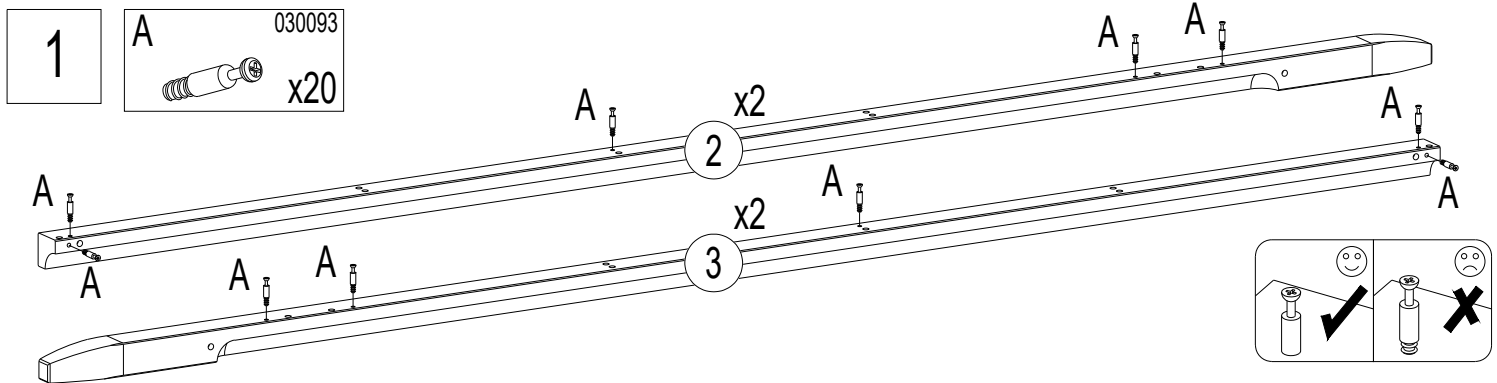


90 min



<b>A</b> 030093  x50	<b>B</b> 030110  x50	<b>C</b> 230010 8x32 <b>x64</b>	<b>D</b> 030033 7x50 <b>x4</b>	<b>E</b> 110022 SW4 x1	<b>F</b> 100077 100078 100079 <b>x14</b>
<b>G</b> 250012 3,5x15 <b>x12</b>	<b>H</b> 070017 30x30 <b>x4</b>	<b>I</b> 210141 a) b) <b>x1</b>	<b>J</b> 250024 3,5x35 <b>x4</b>	<b>K</b> 250030 3,5x50 <b>x12</b>	<b>Z1</b> 090004 8x40 <b>x1</b>
<b>L</b>  L(a) L(b) 160070 <b>x2</b>		<b>Z2</b> 180080 76x31x15 <b>x1</b>	<b>Z3</b> 250012 3,5x15 <b>x1</b>	<b>Z4</b> 250044 4x40 <b>x1</b>	

No	Size/MaB (mm)	Qty	✓	No	Size/MaB (mm)	Qty	✓
1	224x256x18	2		11	256x44x44	2	
2	2042x44x44	2		12	256x44x44	2	
3	2042x44x44	2		13	256x44x44	4	
4	550x350x18	1		14	544x292x15	3	
5	456x292x18	1		15	450x200x18	1	
6	544x292x18	1		16	456x206x15	1	
7	456x56x18	2		17	250x150x14	1	
8	256x56x18	2		18	250x150x14	1	
9	508x26x18	4		19	402x150x14	1	
10	456x44x44	2		20	411x242x3	1	

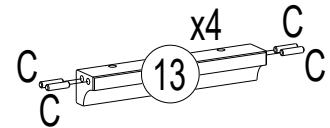
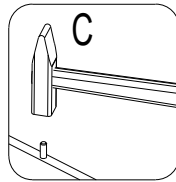
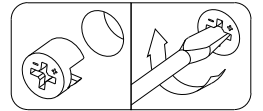
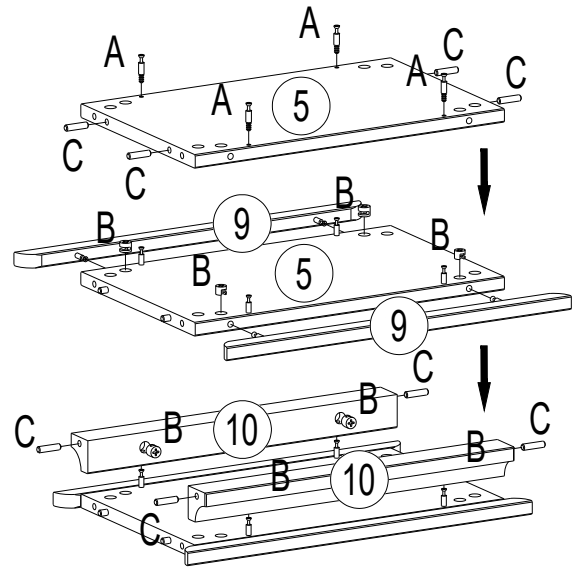
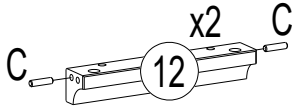
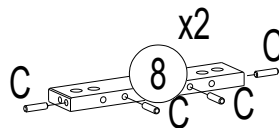
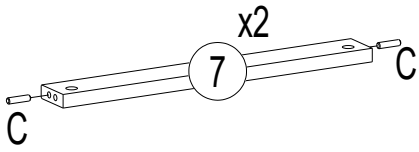
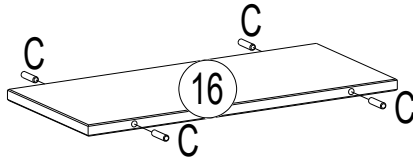
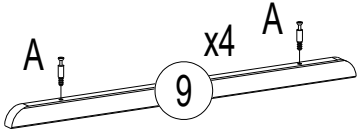
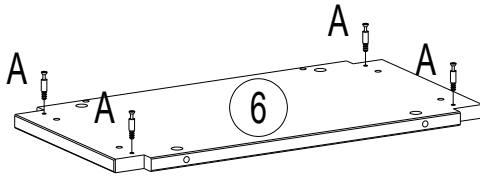
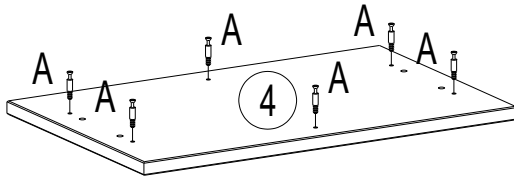
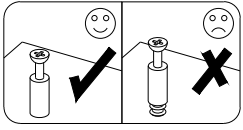


3

A 030093 x22

B 030110 x8

C 230010 8x32 x44

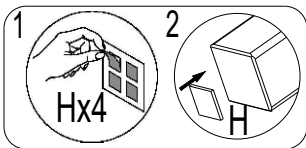
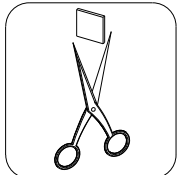
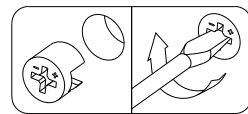
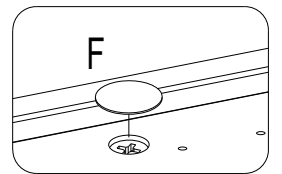
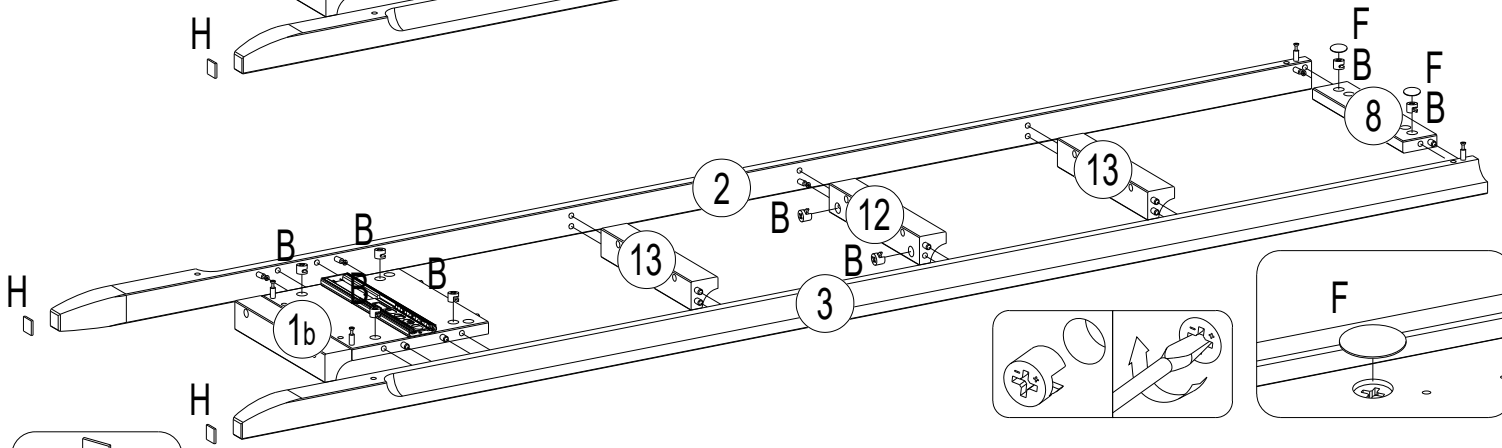
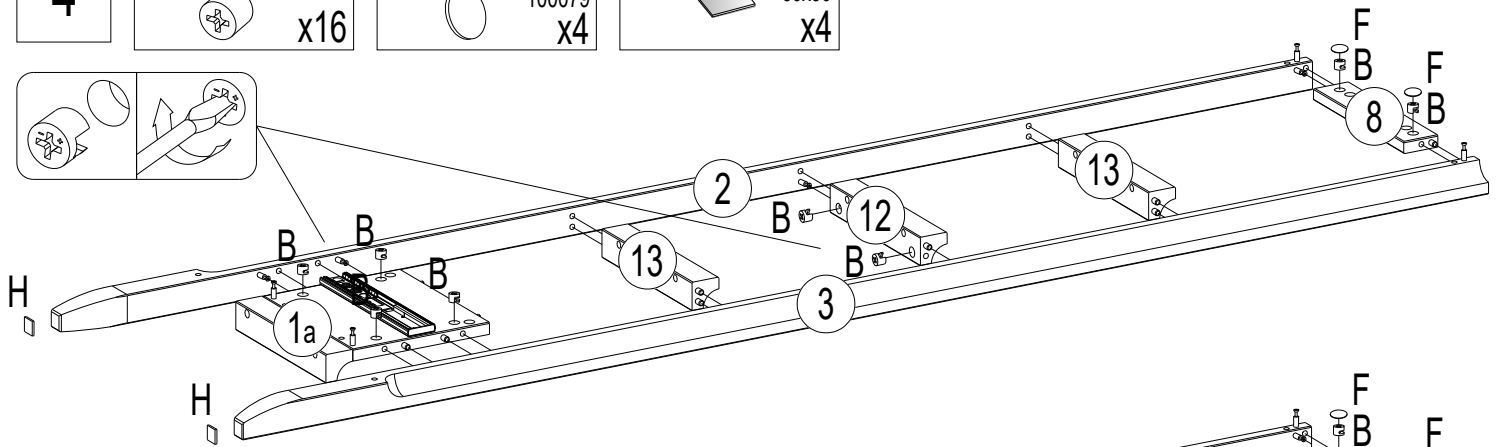
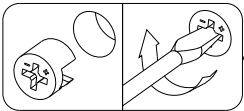


4

B 030110 x16

F 100077 100078 100079 x4

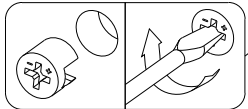
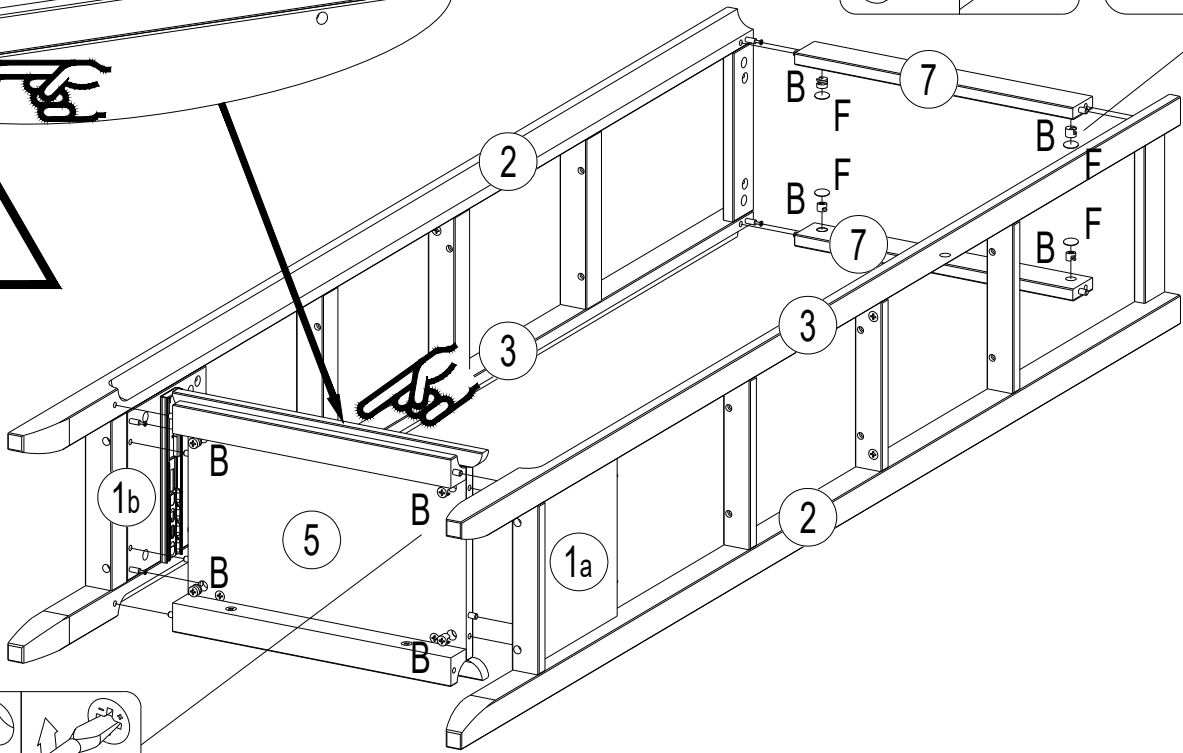
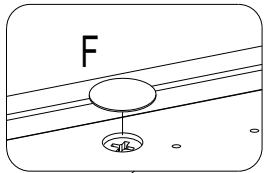
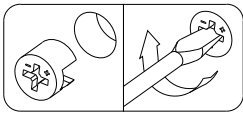
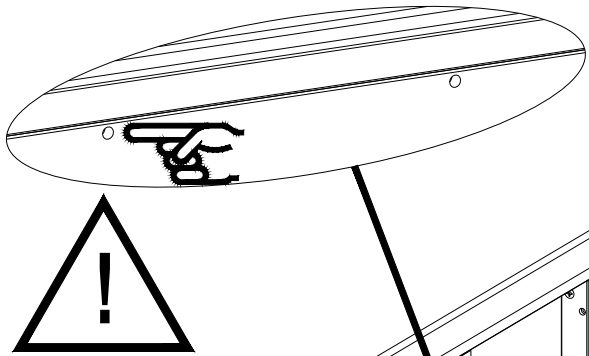
H 070017 30x30 x4



5

B 030110 x8

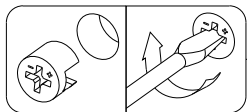
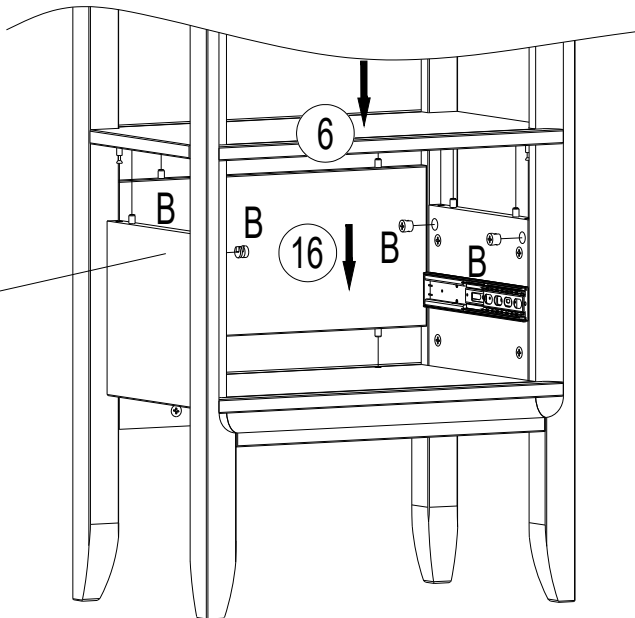
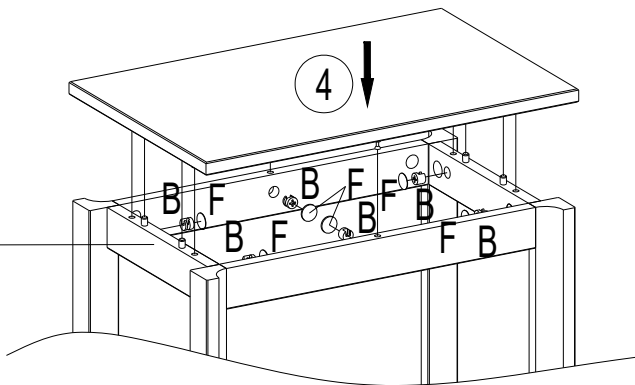
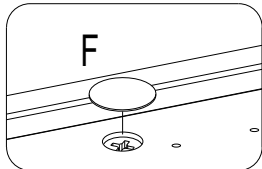
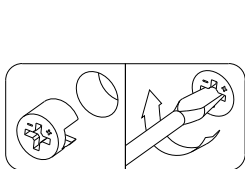
F 100077 100078 100079 x4




6

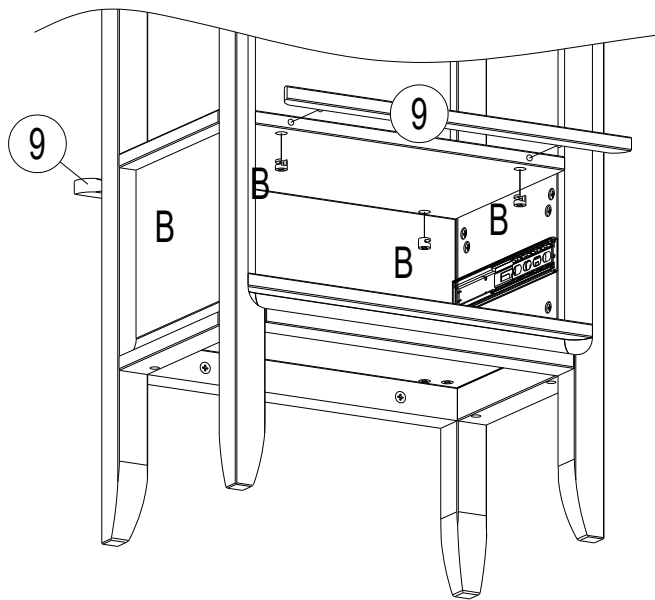
B 030110 x10

F 100077 100078 100079 x6




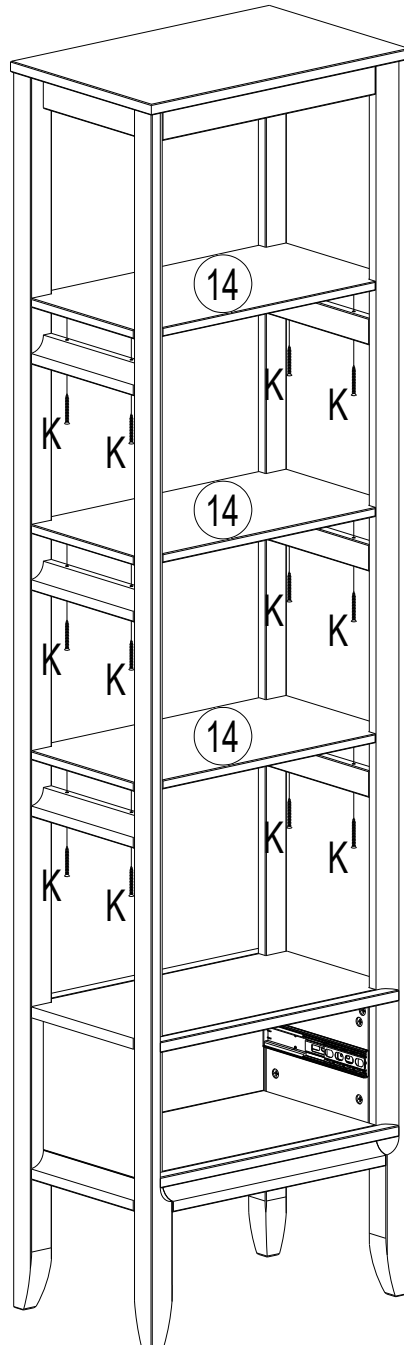
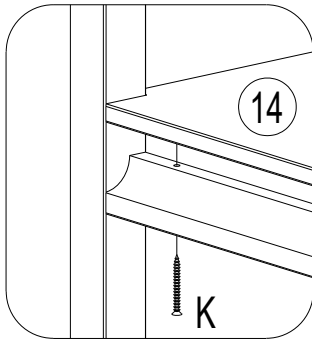
7

B 030110  
 x4



8

K 250030  
 3,5x50 x12



**9** **A** 030093 x4 **B** 030110 x4 **C** 230010 8x32 x8 **G** 250012 3,5x15 x4 **I** a) 210141 x1 b) **J** 250024 3,5x35 x4 **L(a)** 160070 x2

**ИЛИ**

**10** **G** 250012 3,5x15 x2 **Z1** 090004 8x40 x1 **Z2** 180080 76x31x15 x1 **Z3** 250012 3,5x15 x1 **Z4** 250044 4x40 x1

**5 kg**