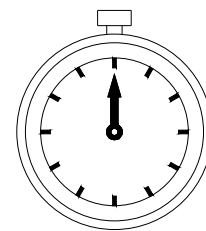
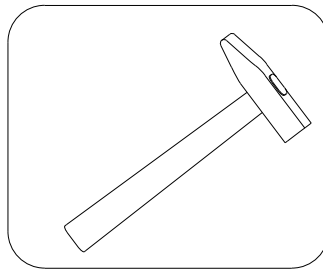
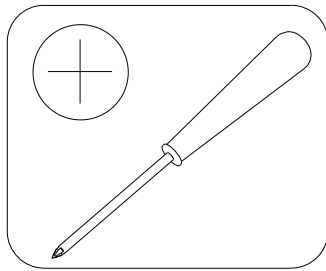
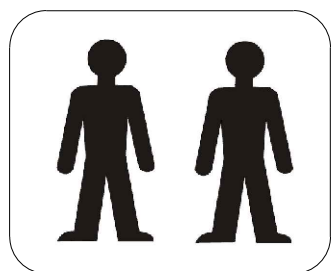
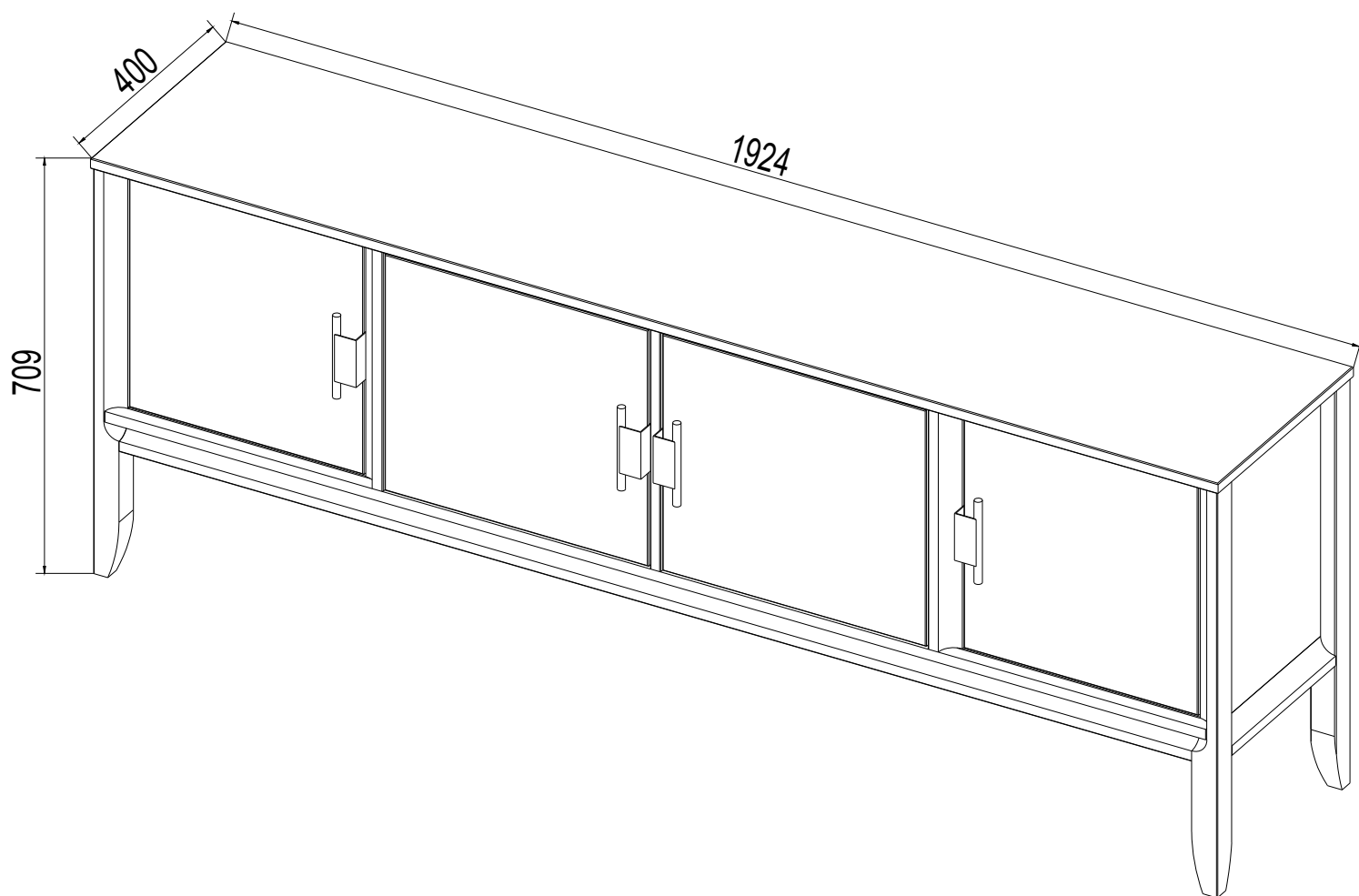
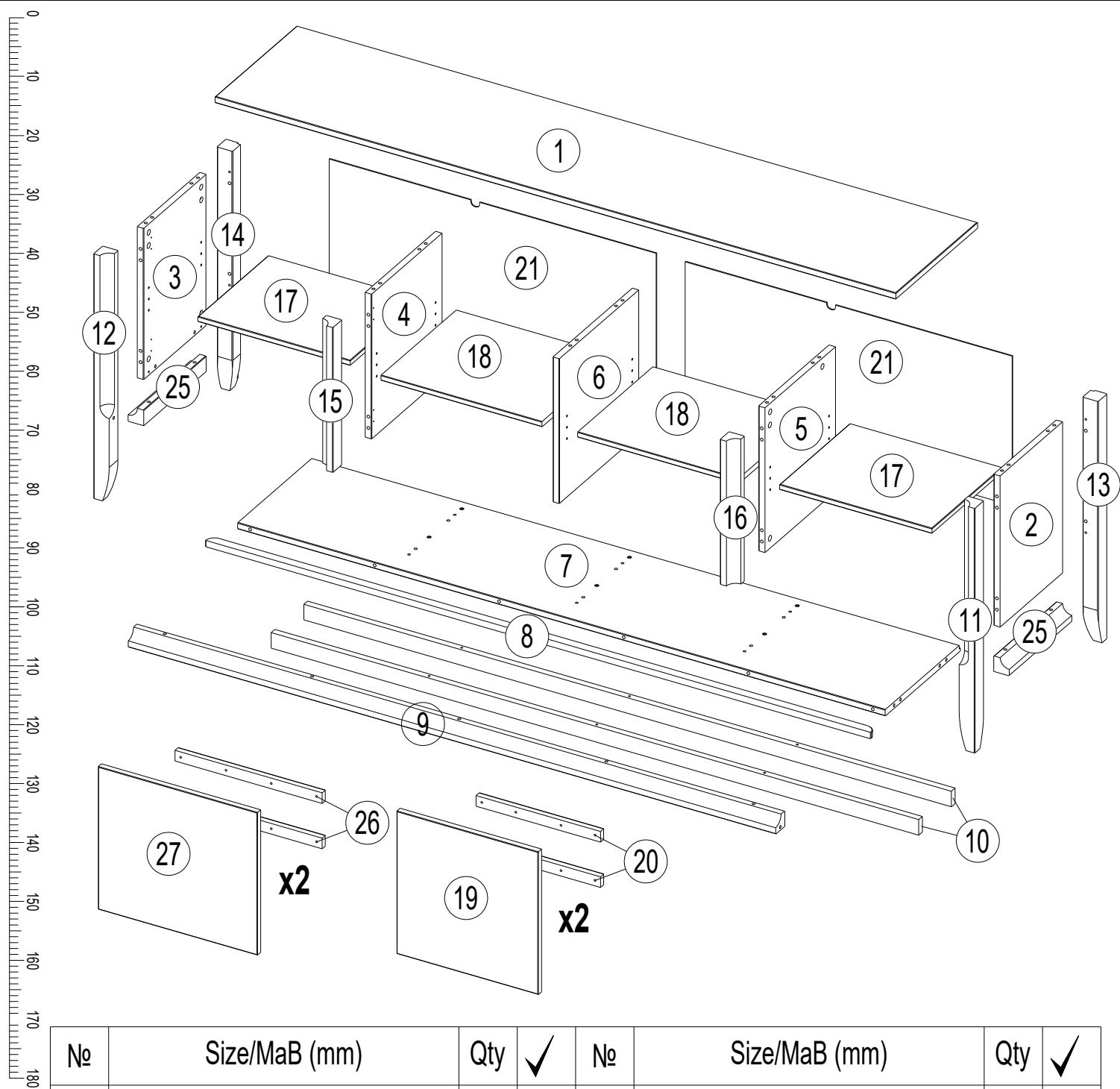




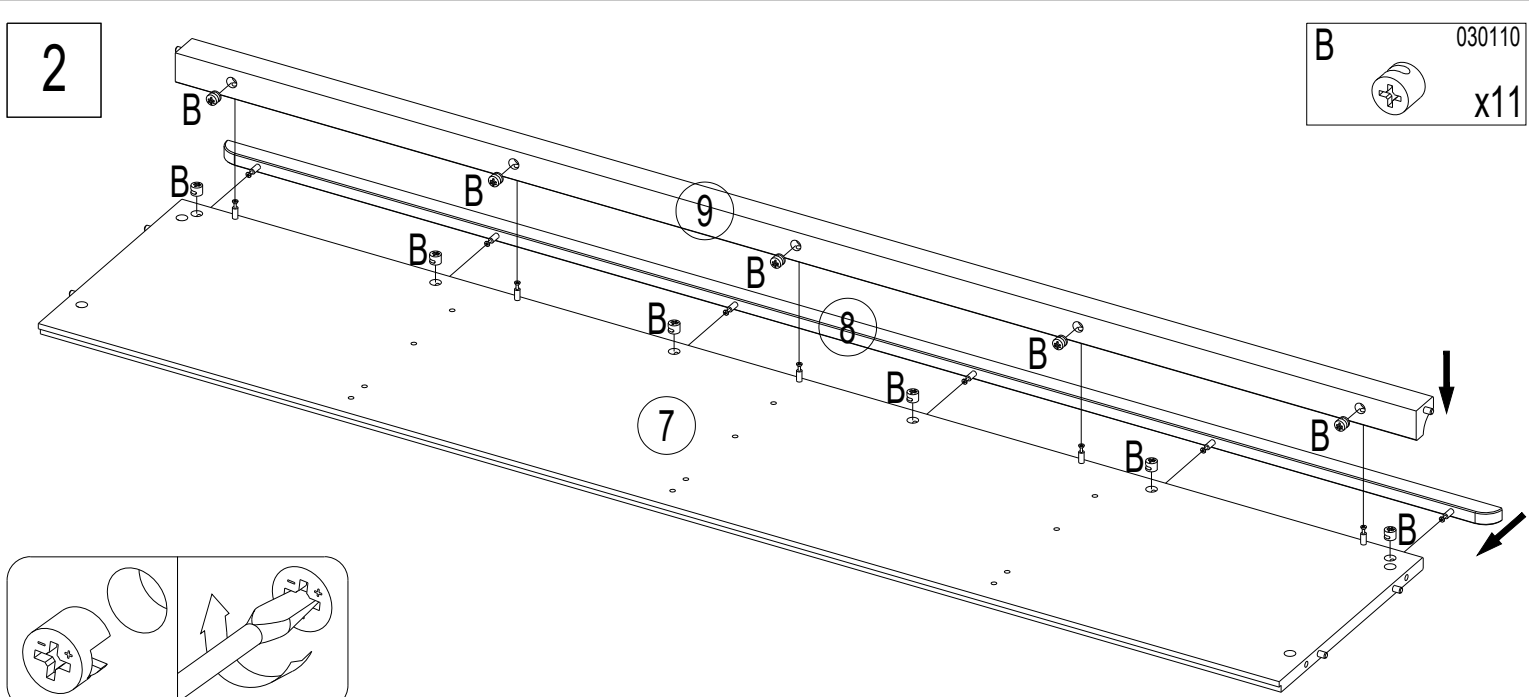
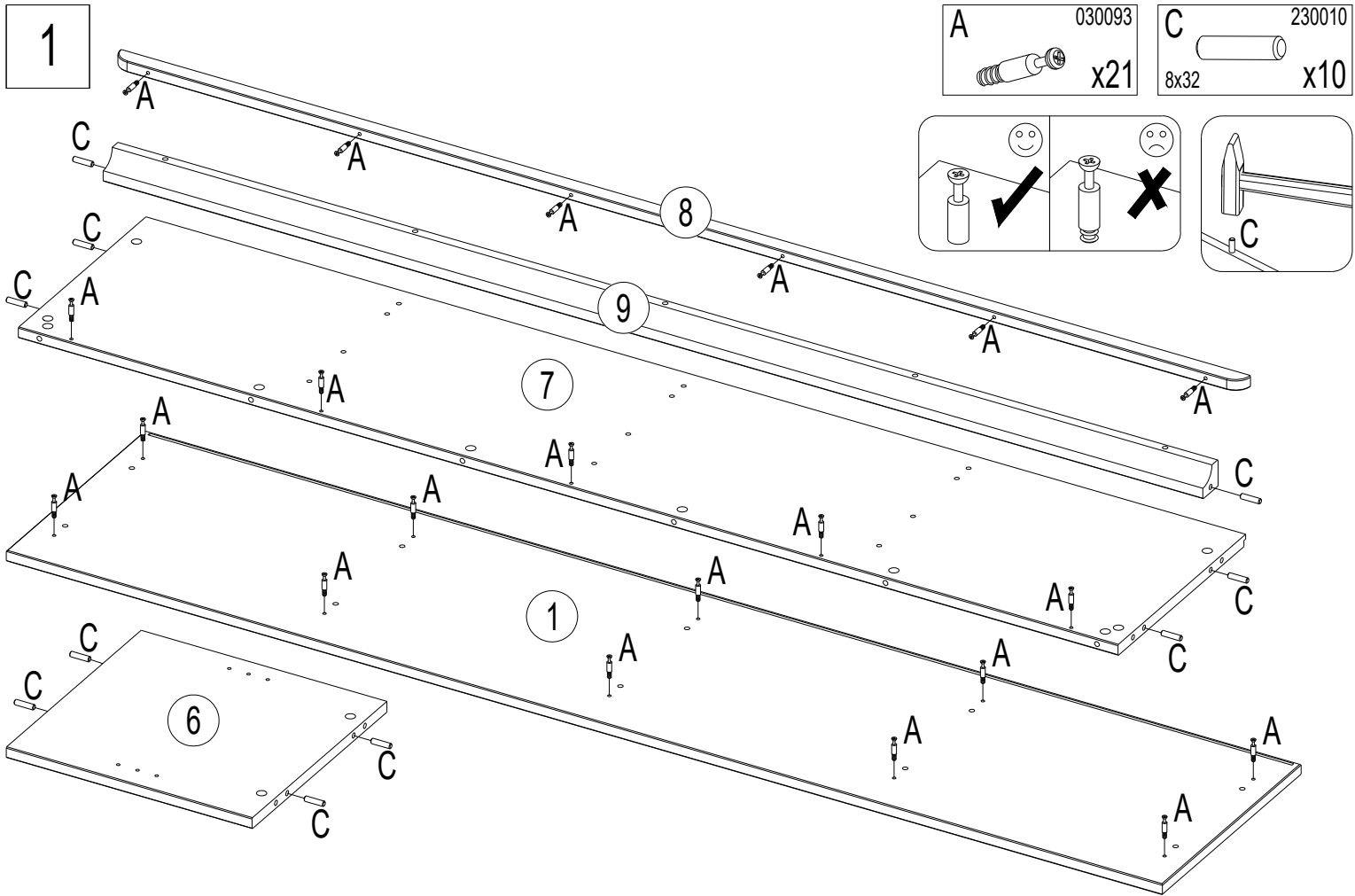
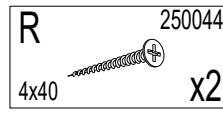
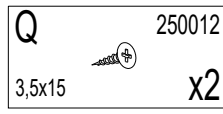
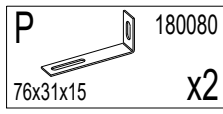
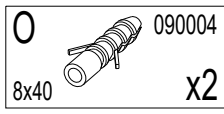
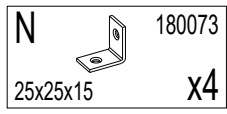
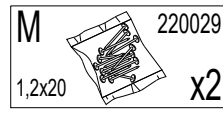
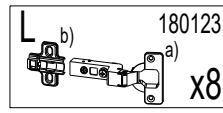
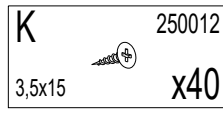
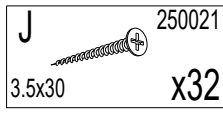
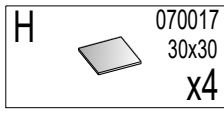
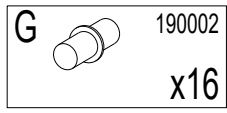
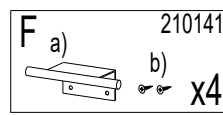
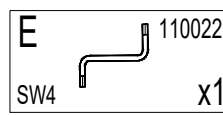
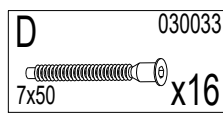
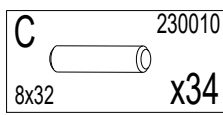
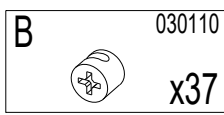
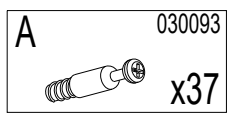
«SanRemi»
<https://sanremi-home.ru>
e-mail: sanremi@list.ru
+7 (812) 920-36-23



120 min



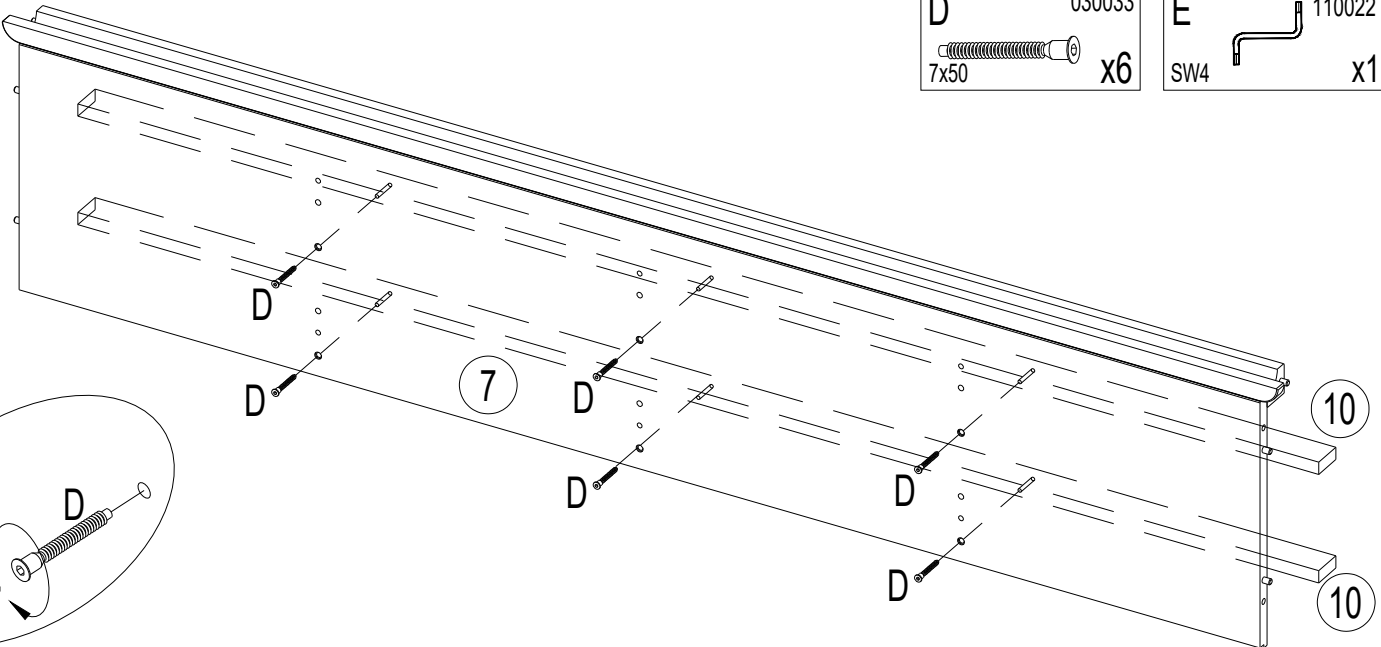
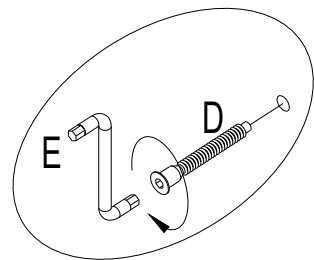
No	Size/MaB (mm)	Qty	✓	No	Size/MaB (mm)	Qty	✓
1	1924x400x18	1		13	691x44x44	1	
2	427x306x18	1		14	691x44x44	1	
3	427x306x18	1		15	409x44x44	1	
4	409x345x18	1		16	409x44x44	1	
5	409x345x18	1		17	431x345x15	2	
6	409x389x18	1		18	455x370x15	2	
7	1830x368x18	1		19	403x400x18	2	
8	1882x26x18	1		20	352x30x18	2	
9	1830x44x44	1		21	924x422x3	2	
10	1830x44x18	2		25	306x44x44	2	
11	691x44x44	1		26	416x30x18	2	
12	691x44x44	1		27	403x450x18	2	



3

D 030033
7x50 x6

E 110022
SW4 x1



4

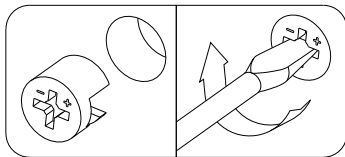
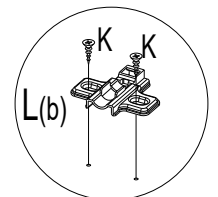
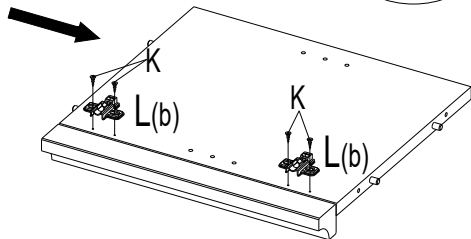
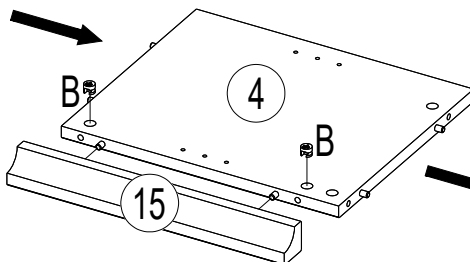
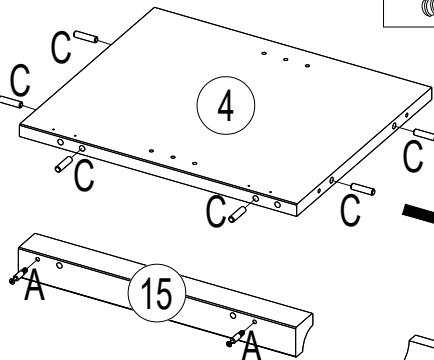
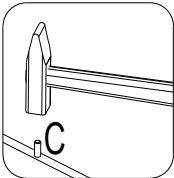
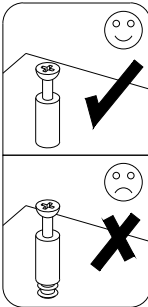
A 030093
x2

B 030110
x2

C 230010
8x32 x6

K 250012
3,5x15 x4

L(b) 180123
x2



5

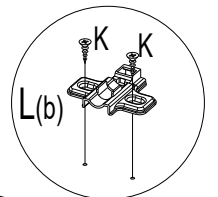
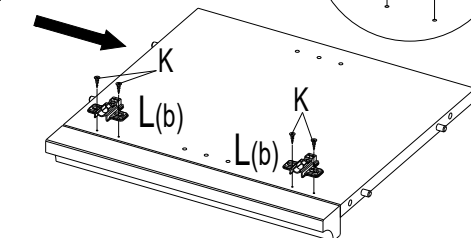
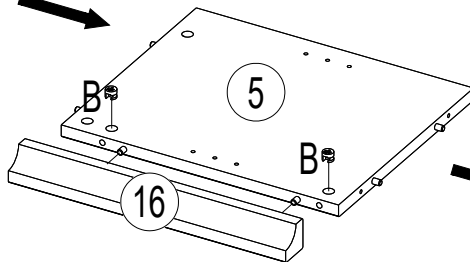
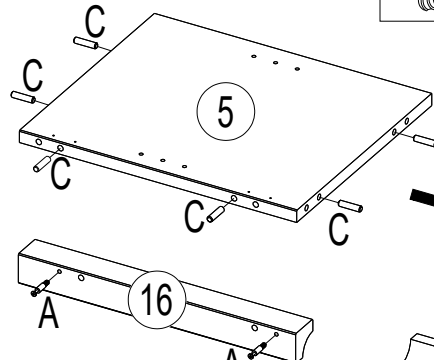
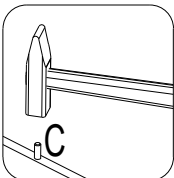
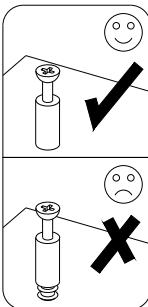
A 030093
x2

B 030110
x2

C 230010
8x32 x6

K 250012
3,5x15 x4

L(b) 180123
x2



6

A 030093 x4

B 030110 x4

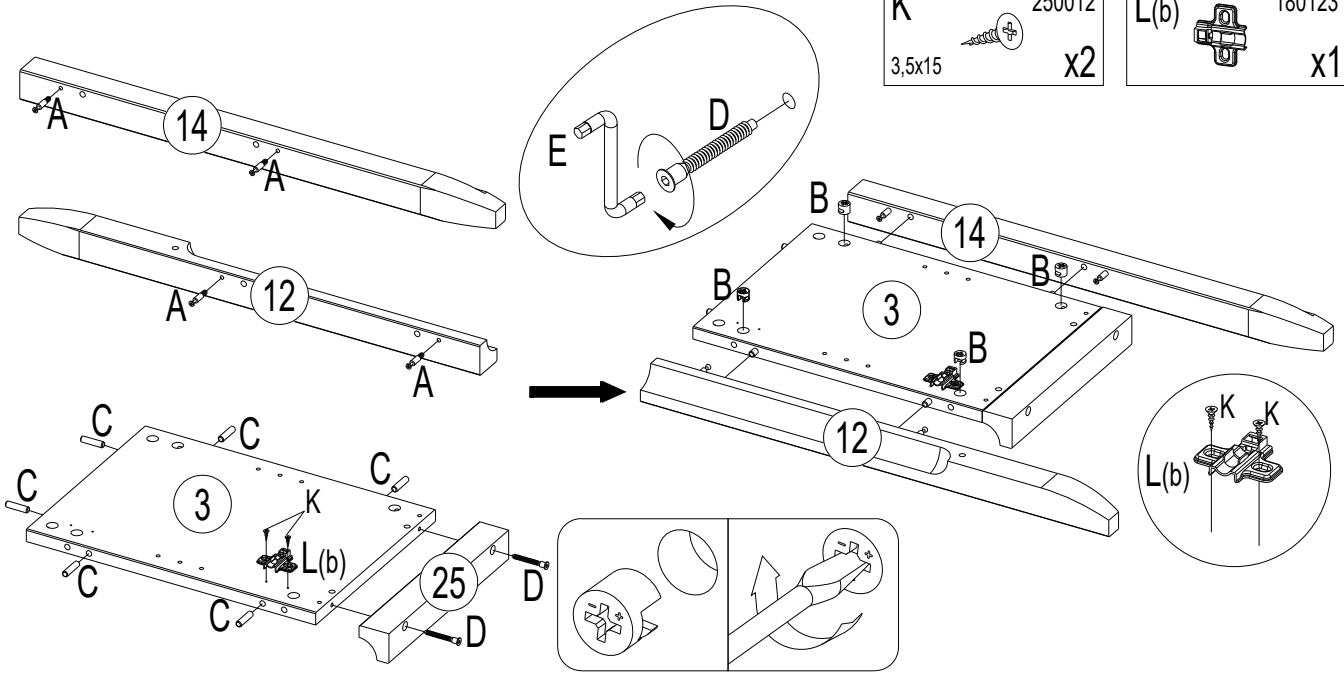
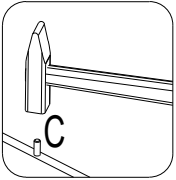
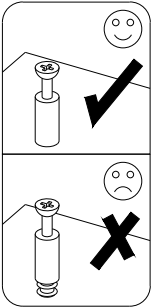
C 230010 8x32 x6

D 030033 7x50 x2

E 110022 SW4 x1

K 250012 3,5x15 x2

L(b) 180123 x1



7

A 030093 x4

B 030110 x4

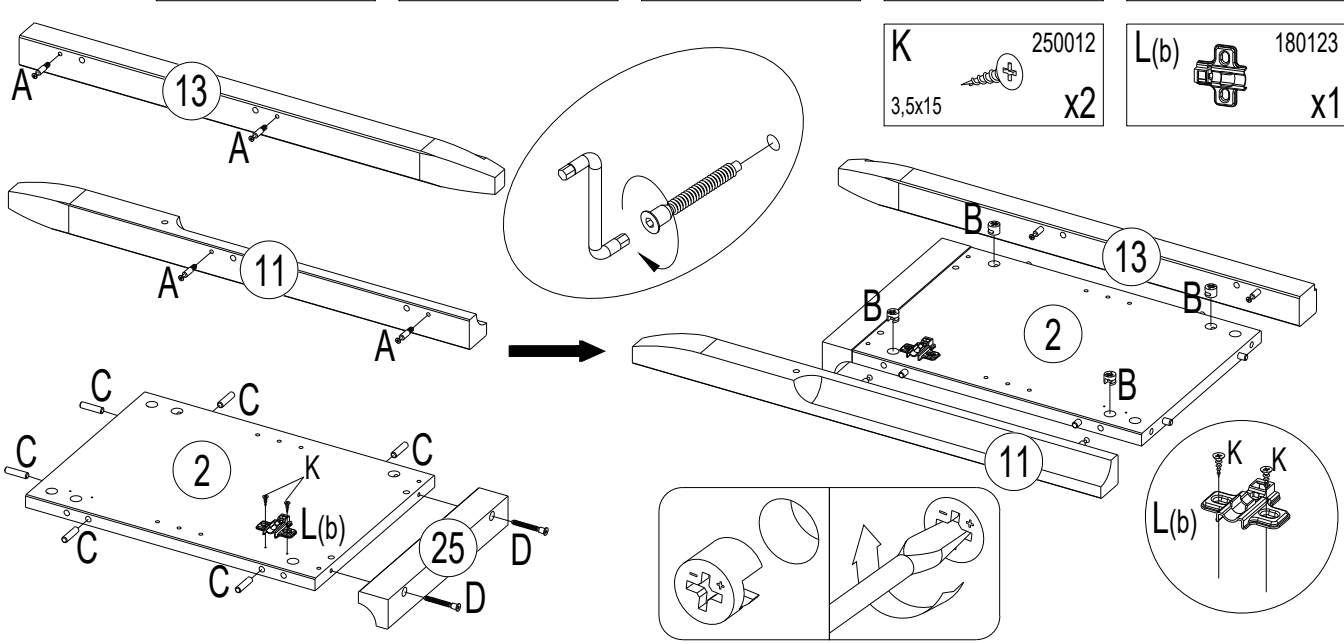
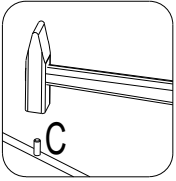
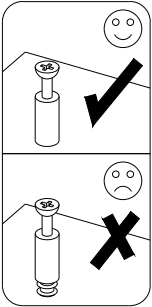
C 230010 8x32 x6

D 030033 7x50 x2

E 110022 SW4 x1

K 250012 3,5x15 x2

L(b) 180123 x1

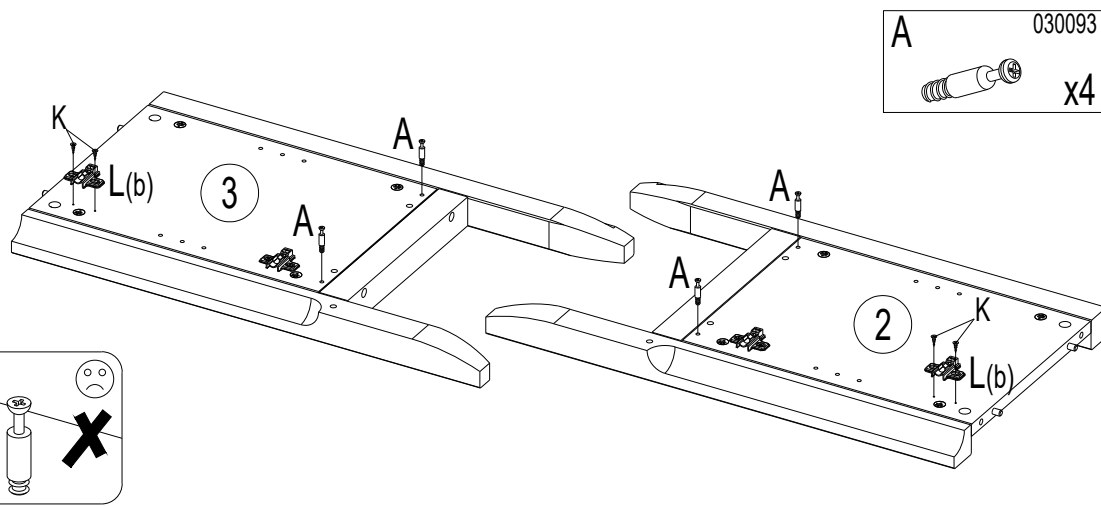
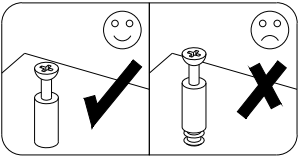


8

A 030093 x4

K 250012 3,5x15 x4

L(b) 180123 x2



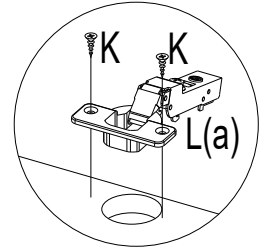
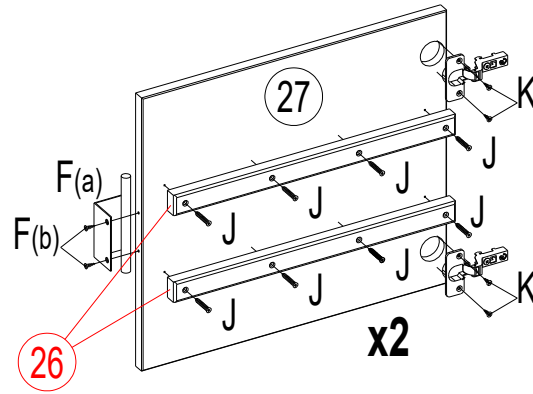
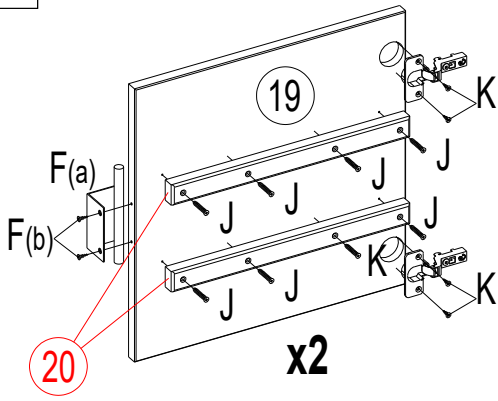
9

F a) 210141
b) x4

J 250021
3.5x30 x32

K 250012
3,5x15 x16

L(a) 180123
x8

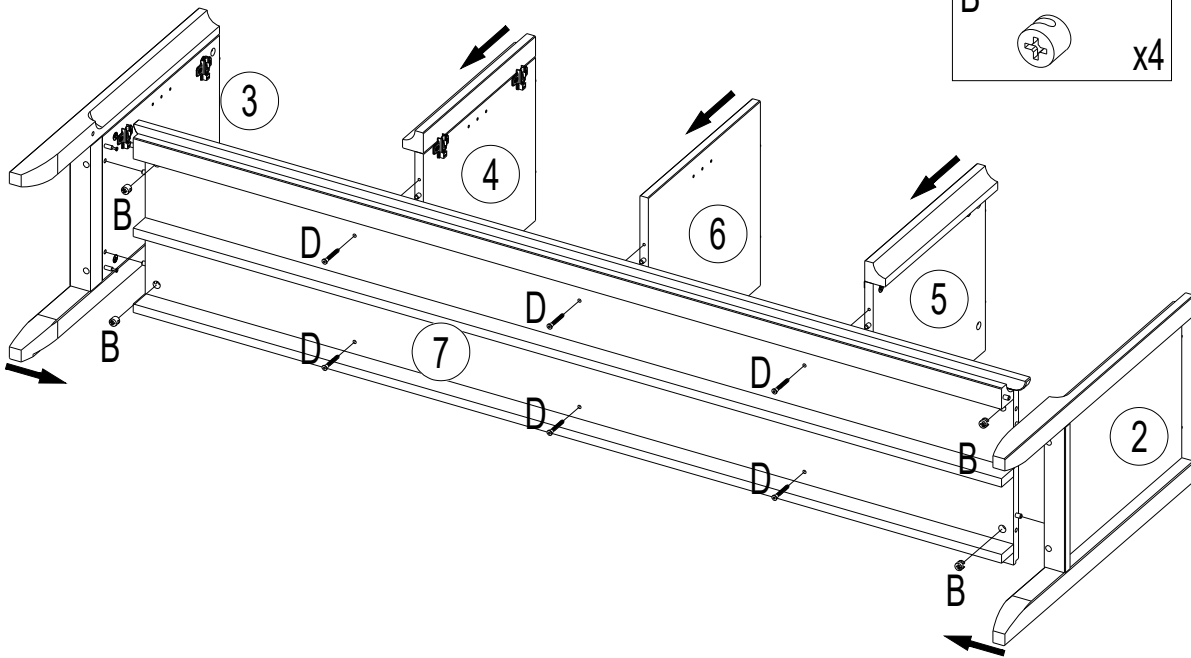


10

B 030110
x4

D 030033
7x50 x6

E 110022
SW4 x1

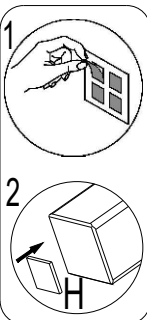
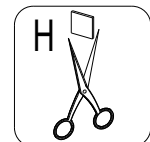
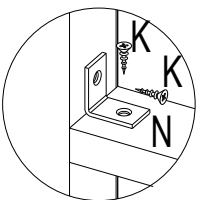
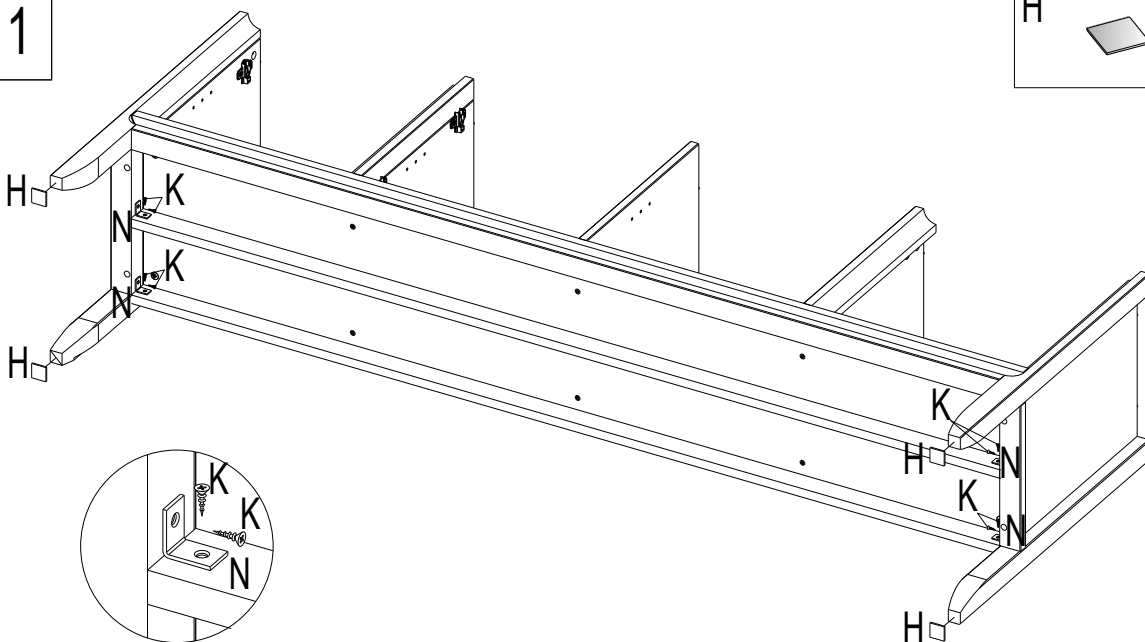


11

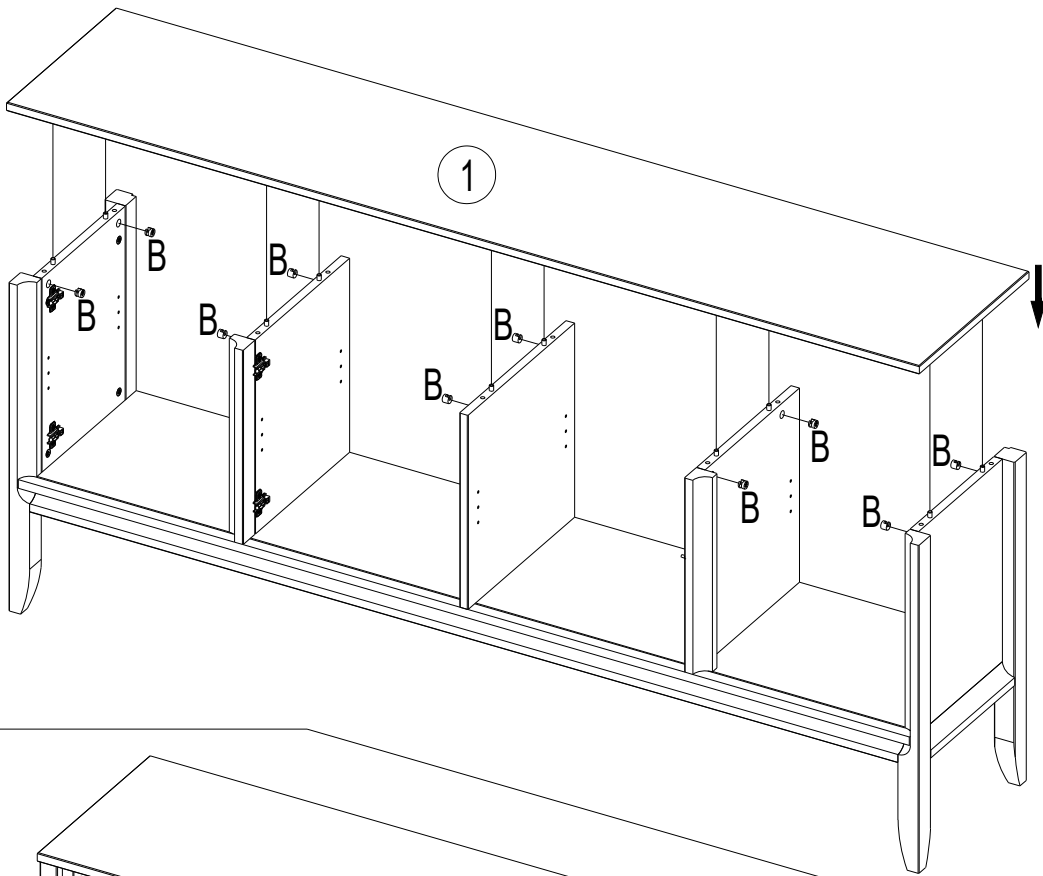
H 070017
30x30 x4


K 250012
3,5x15 x8

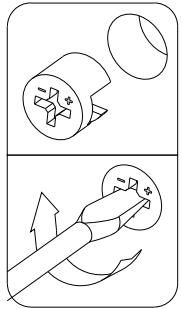
N 180073
25x25x15 x4



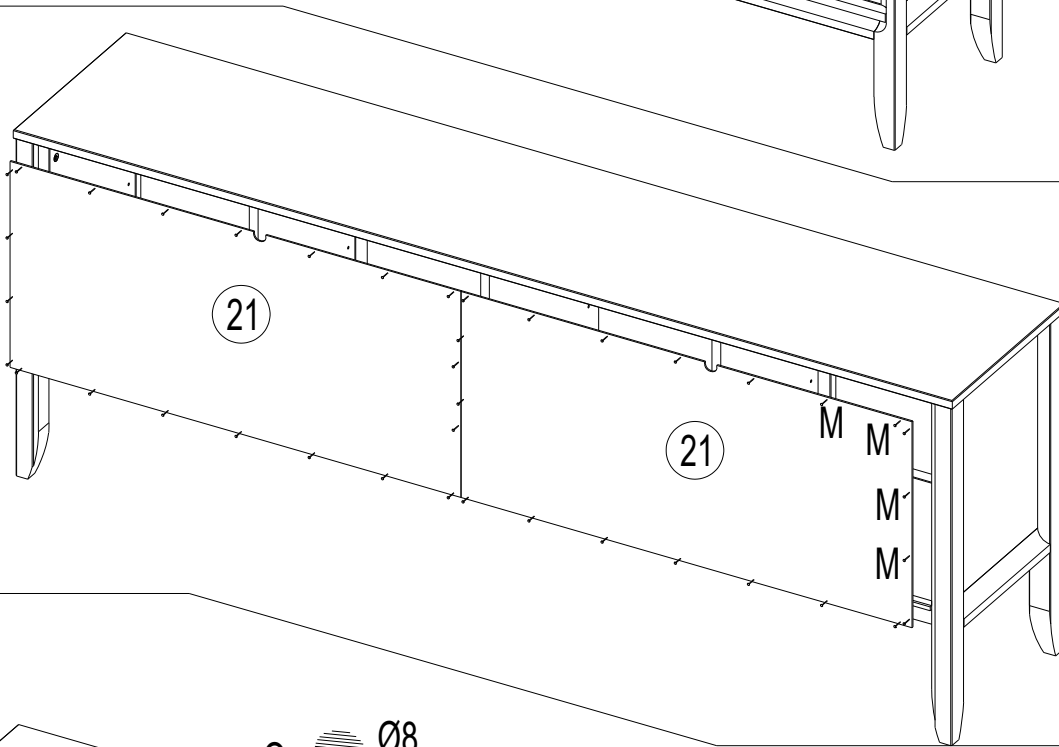
12




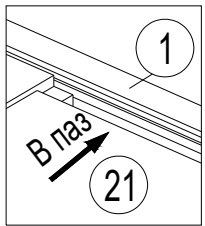
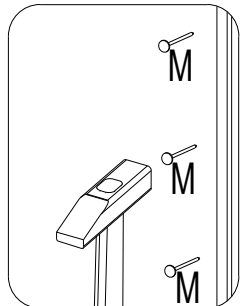
B 030110
 x10



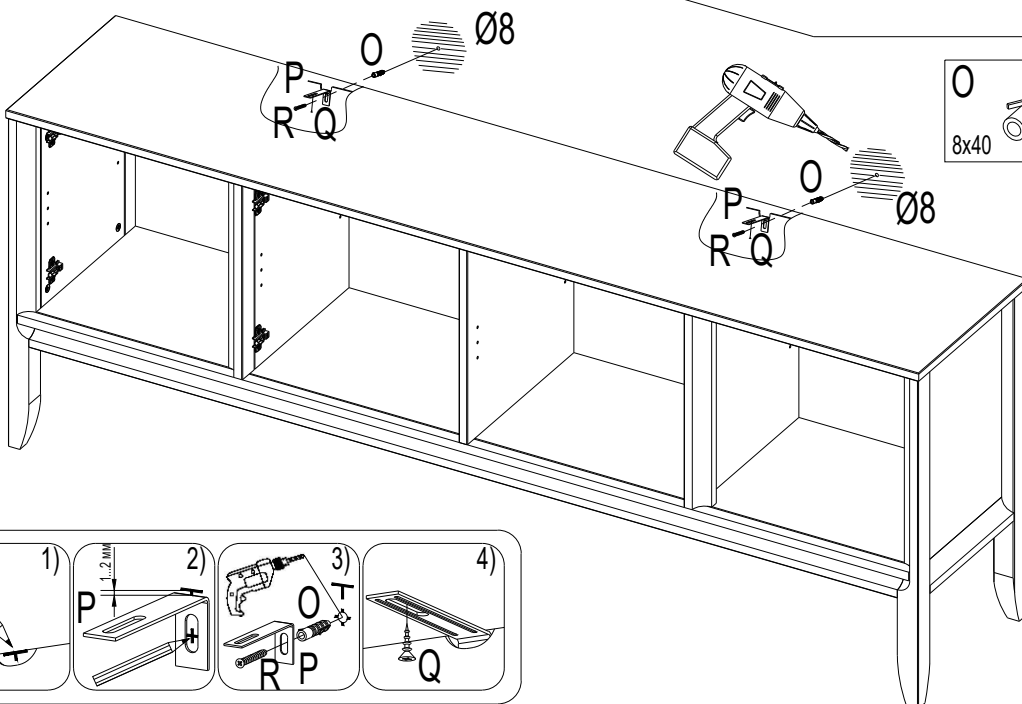
13





M 220029
 x2
 1,2x20





14

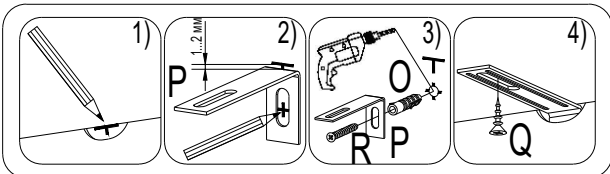


O 090004
 x2
 8x40

P 180080
 x2
 76x31x15

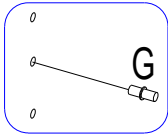
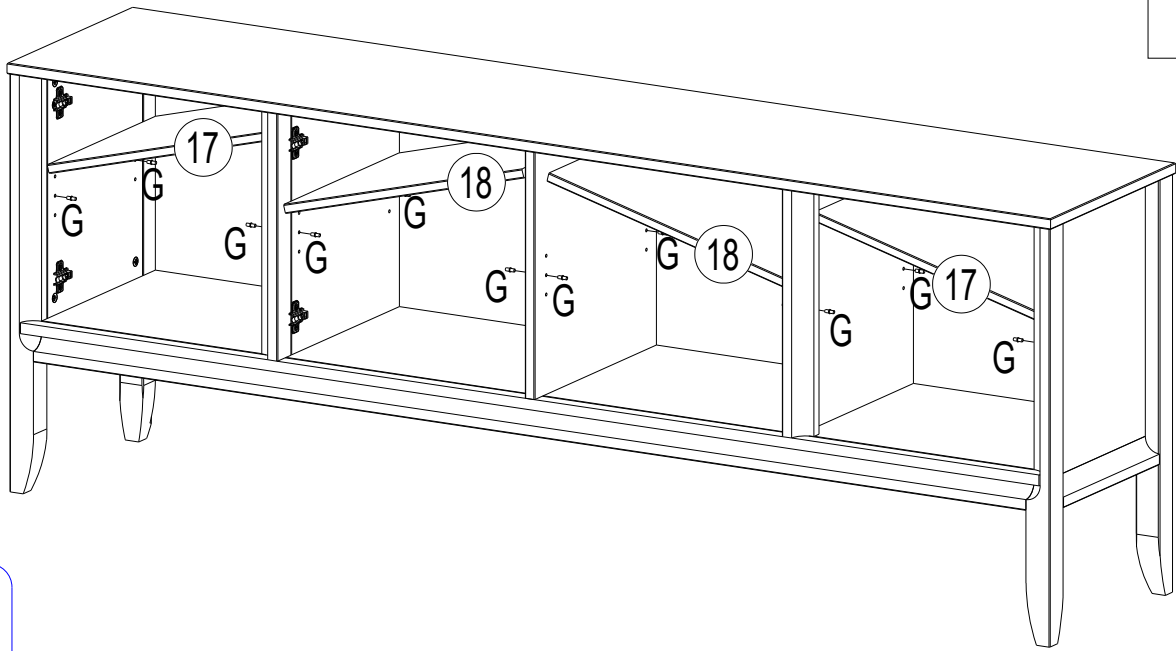
Q 250012
 x2
 3,5x15

R 250044
 x2
 4x40



15

G 190002
x16



16

