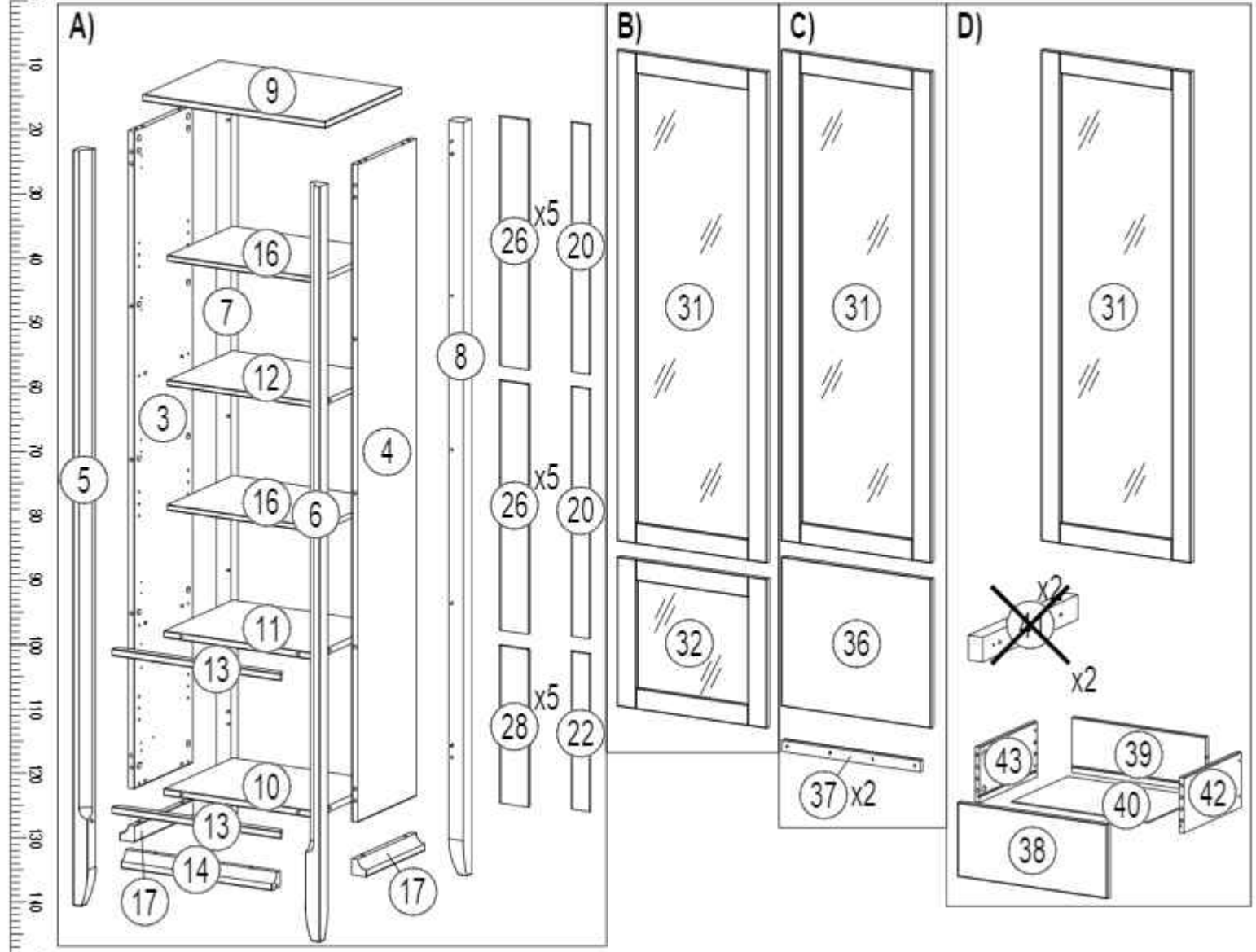


120 min



<b>A)</b>	<b>B)</b>	<b>C)</b>	<b>D)</b>	<b>E)</b>	<b>F)</b>
A 030093 x42	B 030110 x42	C 230010 8x32 x26	D 030033 7x50 x4	E 110022 SW4 x1	F 190002 x8
G 220043 1.2x20 x3	H 070017 30x30 x4	Q 100077 100078 x24	Z1 090004 8x40 x1	Z2 180080 76x31x15 x1	Z3 250012 3.5x15 x1

<b>B)</b>	<b>I)</b>	<b>J)</b>	<b>K)</b>	<b>M)</b>
I a) b) 210141 x2	J 140007 x1	K 250012 3.5x15 x24	M a) b) 180123 x6	Z4 250044 4x40 x1

<b>C)</b>	<b>I)</b>	<b>J)</b>	<b>K)</b>	<b>L)</b>	<b>M)</b>
I a) b) 210141 x2	J 140007 x1	K 250012 3.5x15 x24	L 250021 3.5x30 x8	M a) b) 180123 x6	

<b>D)</b>	<b>A)</b>	<b>B)</b>	<b>C)</b>	<b>I)</b>	<b>K)</b>	<b>M)</b>
A 030093 x8	B 030110 x8	C 230010 8x32 x20	I a) b) 210141 x3	K 250012 3.5x15 x40	M a) b) 180123 x4	
N 250024 3.5x35 x8	<del>O 250044 4x40 x4</del>	<b>P)</b>	P(a) P(b)		160064 x4	

**A)**

№	Size/MaB (mm)	Qty	✓	№	Size/MaB (mm)	Qty	✓
3	1778x306x18	1		12	456x342x15	1	
4	1778x306x18	1		13	508x26x18	2	
5	2042x44x44	1		14	456x44x44	1	
6	2042x44x44	1		16	456x342x15	2	
7	2042x44x44	1		17	306x44x44	2	
8	2042x44x44	1		20	675x56x8	2	
9	550x400x18	1		22	426x56x8	1	
10	456x368x18	1		26	675x89x8	10	
11	456x360x18	1		28	426x89x8	5	

**B)**

№	Size/MaB (mm)	Qty	✓	№	Size/MaB (mm)	Qty	✓
31	1327x450x18	1		32	403x450x18	1	

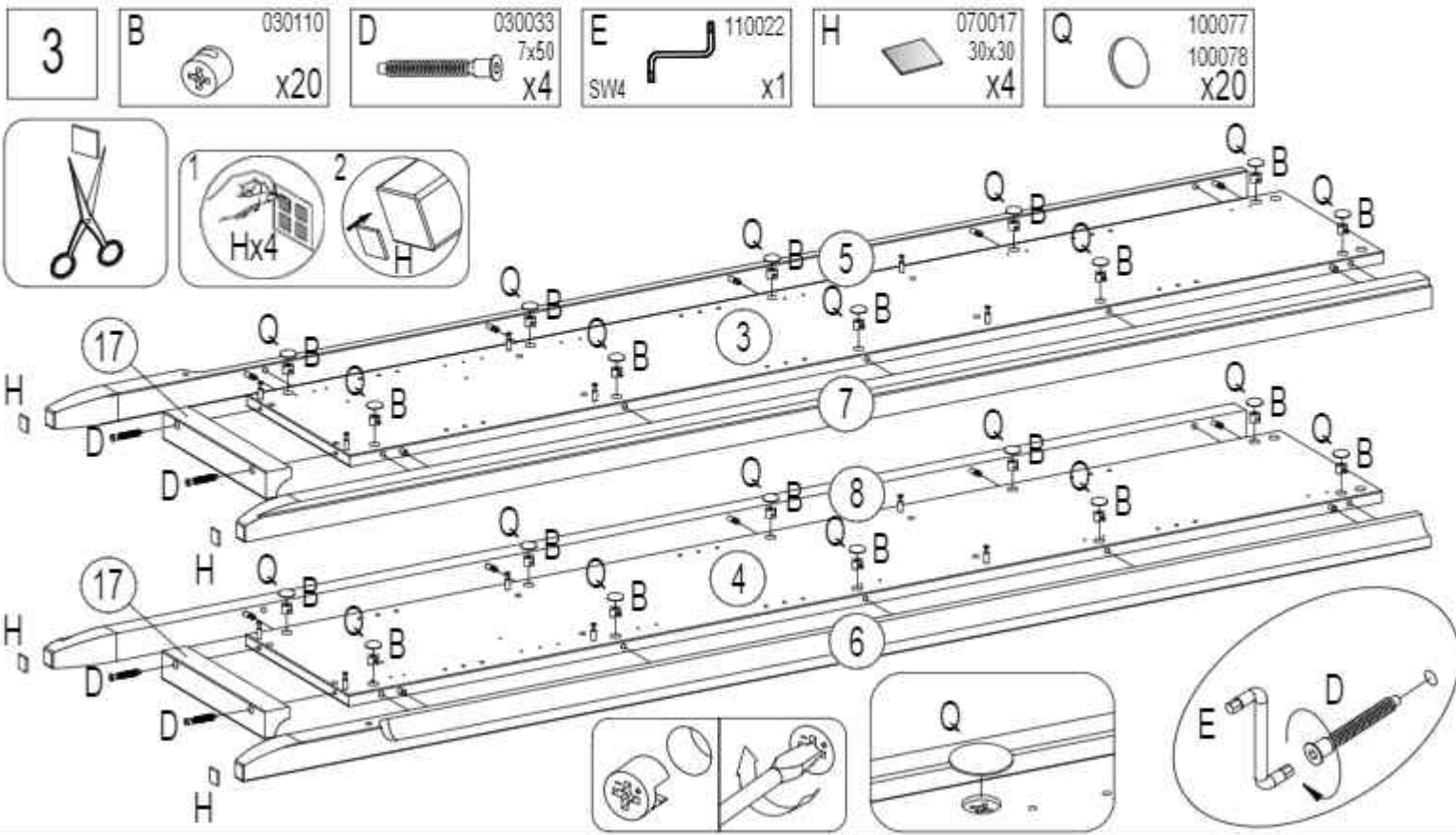
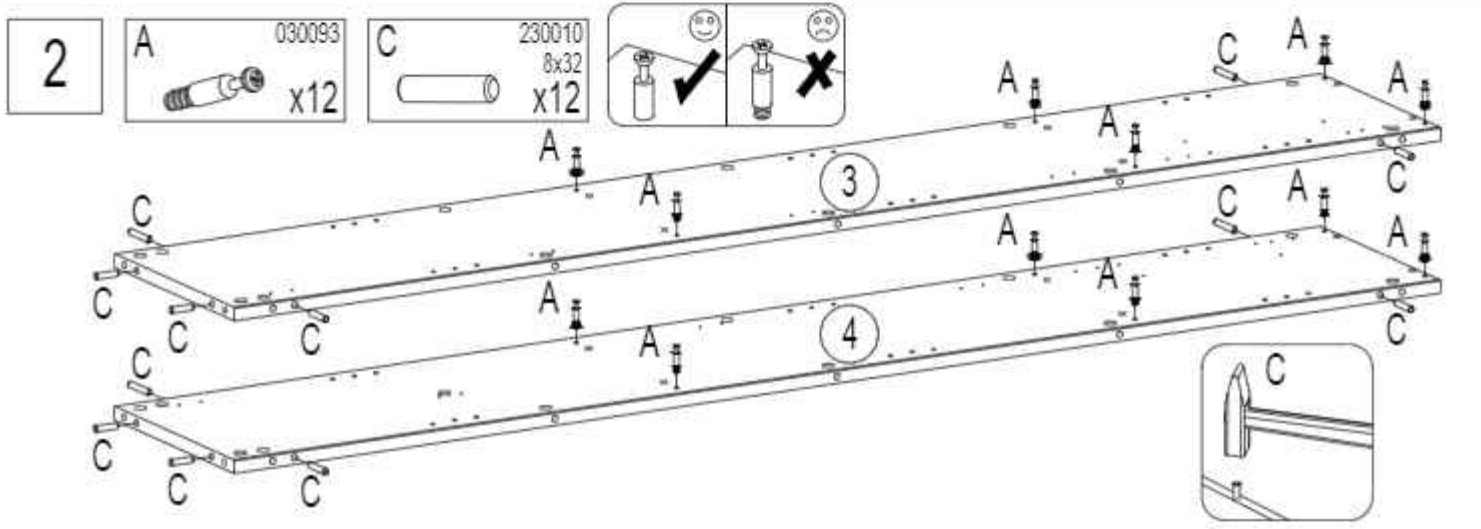
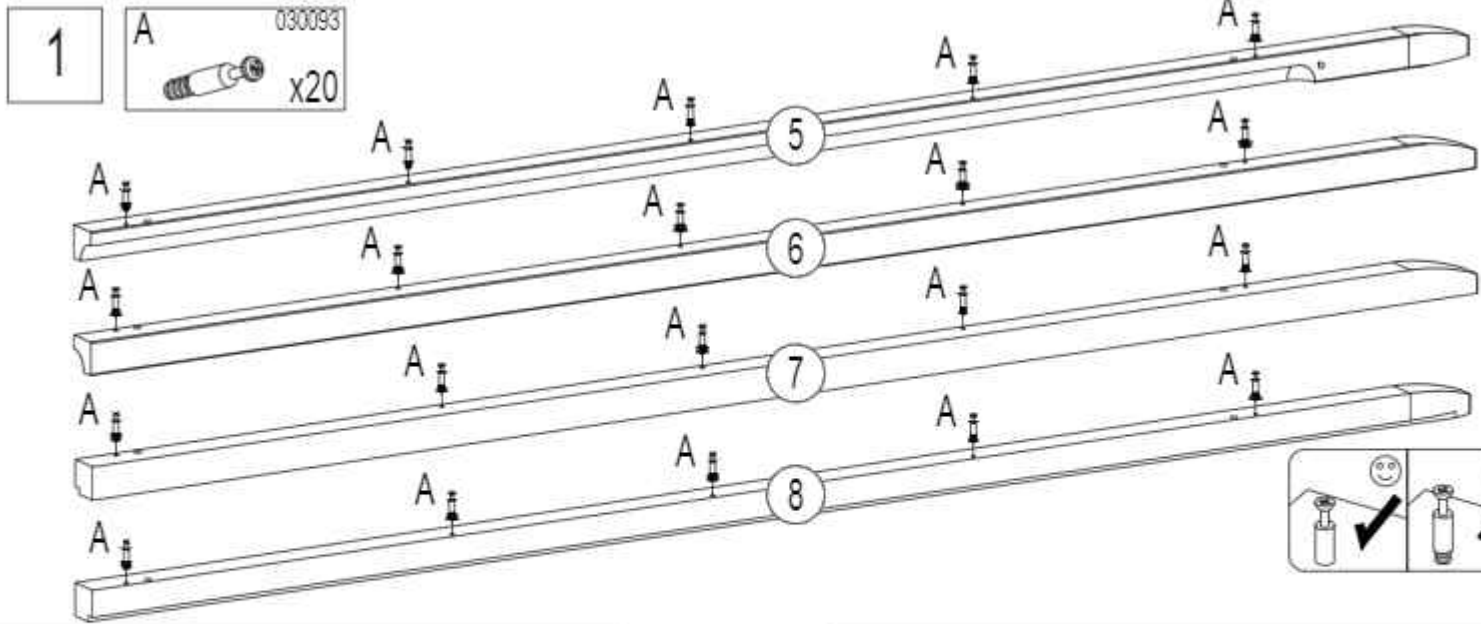
**C)**

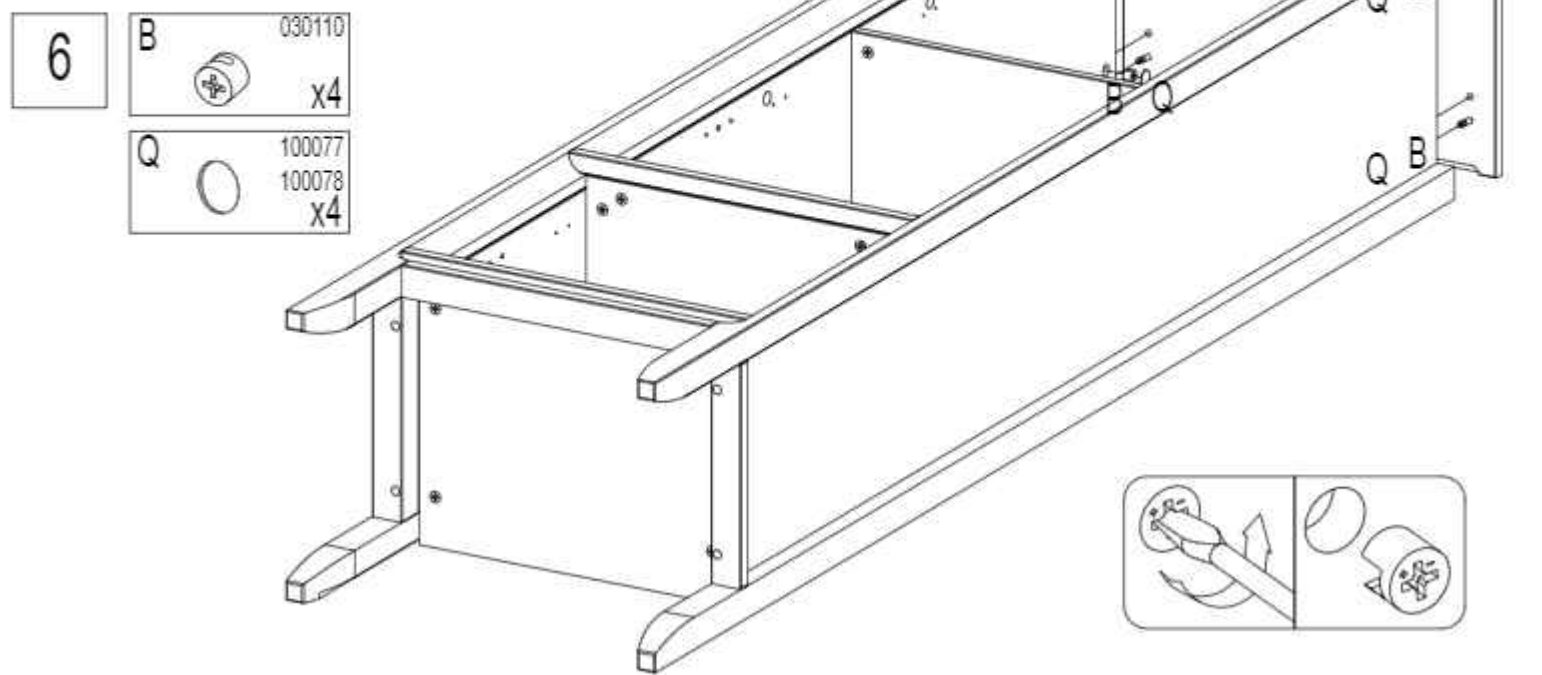
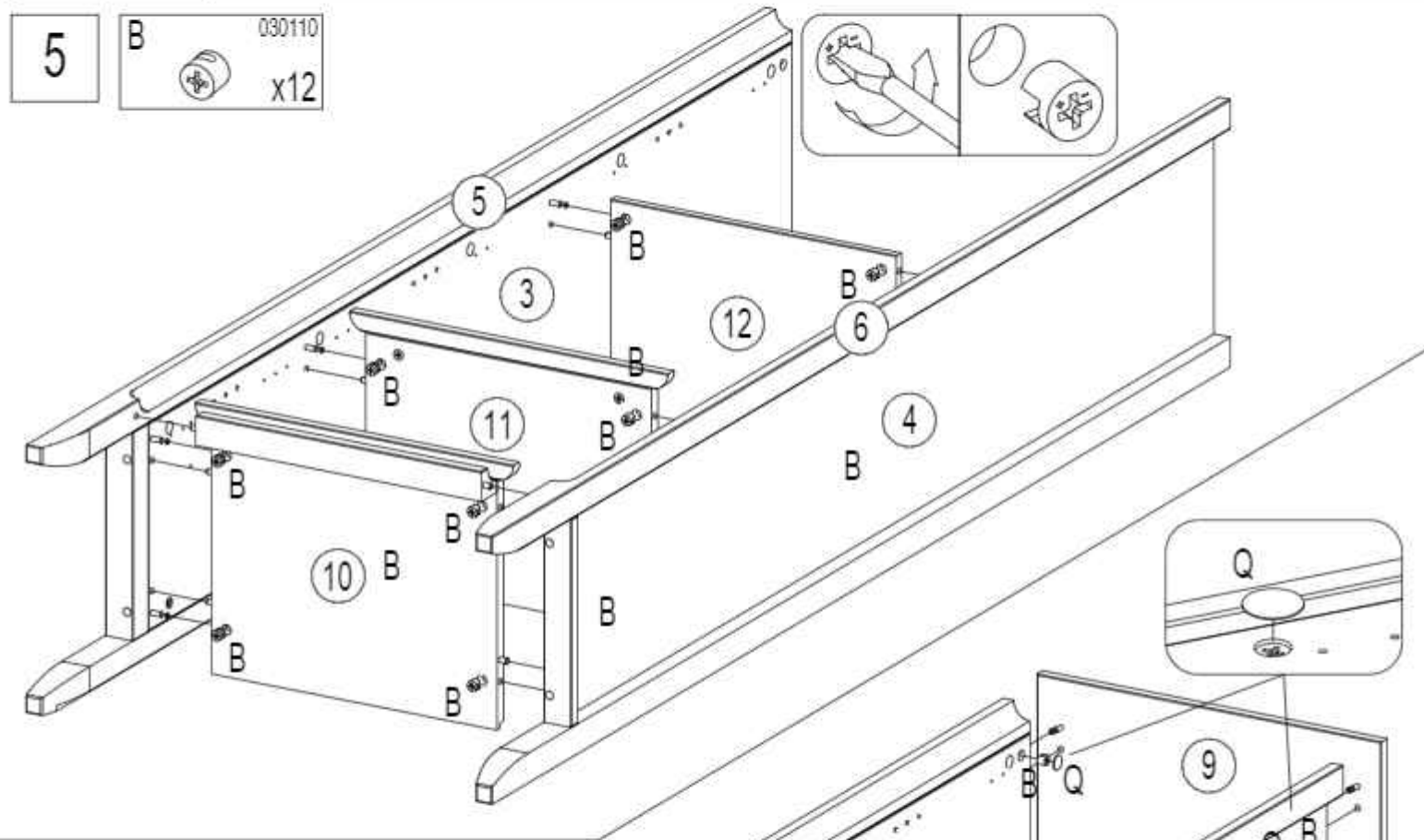
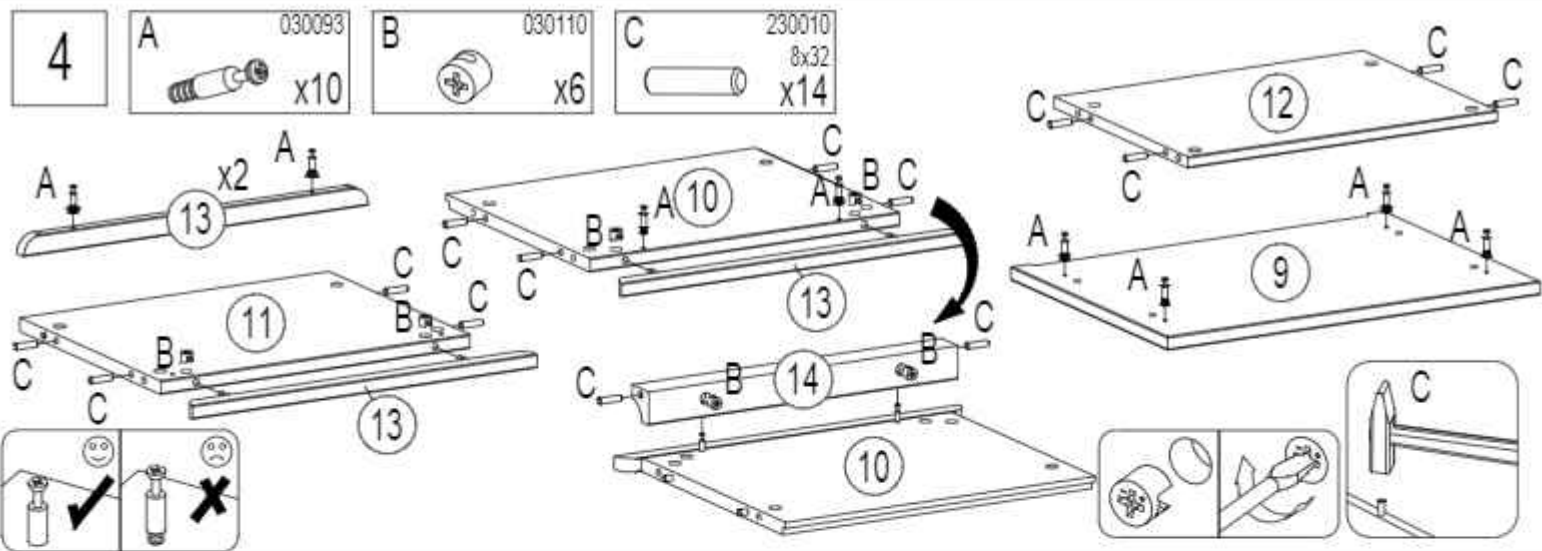
№	Size/MaB (mm)	Qty	✓	№	Size/MaB (mm)	Qty	✓
31	1327x450x18	1		37	416x30x18	2	
36	403x450x18	1					

**D)**

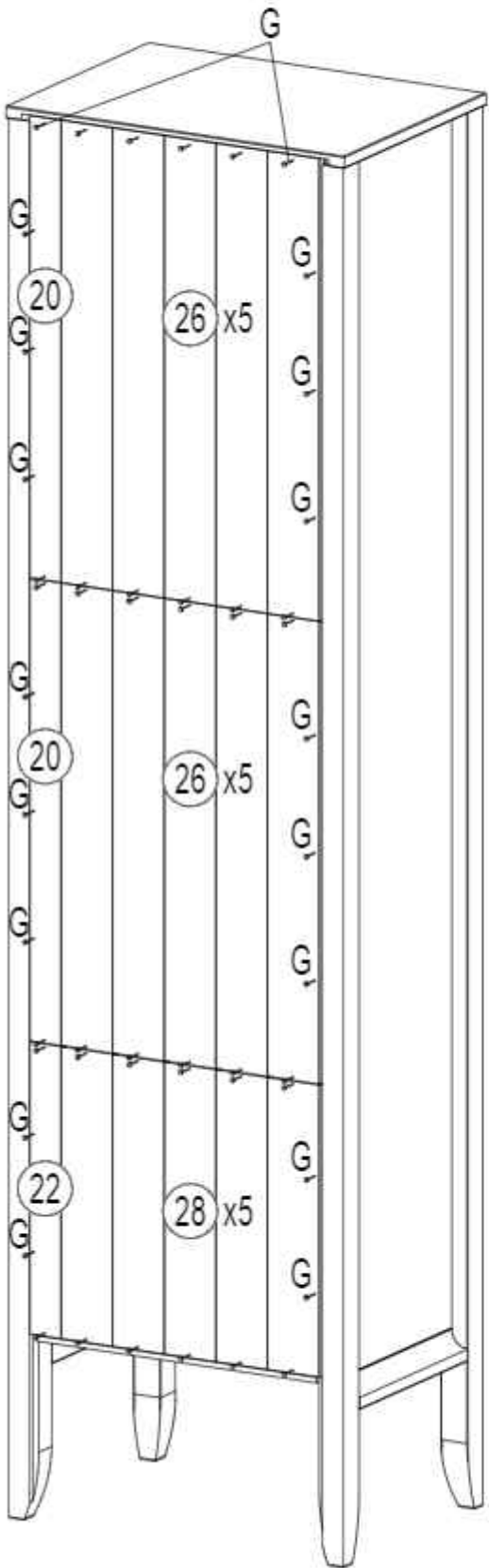
№	Size/MaB (mm)	Qty	✓	№	Size/MaB (mm)	Qty	✓
31	1327x450x18	1		41	298x40x26	2	
38	450x200x18	2		42	300x150x14	2	
39	402x150x14	2		43	300x150x14	2	
40	411x292x3	2					

# A)





7 G 220043  
1.2x20 x3



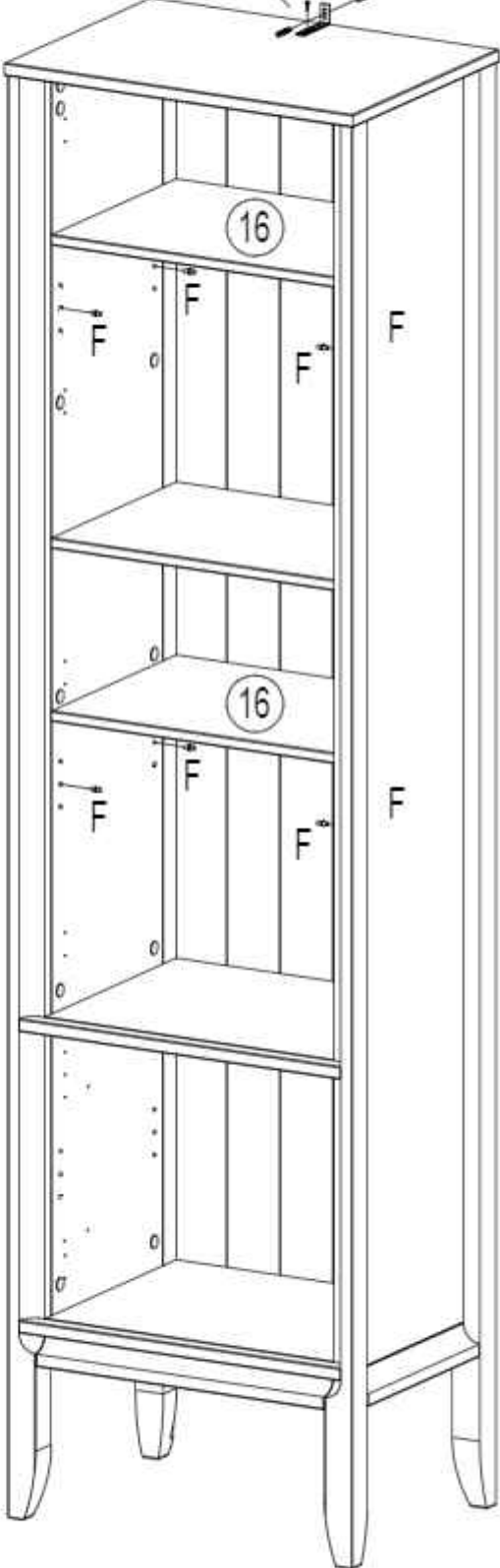
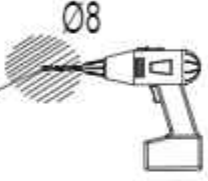
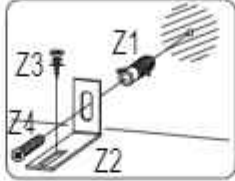
8 F 190002  
x8

Z1 090004  
8x40 x1

Z2 180080  
76x31x15 x1

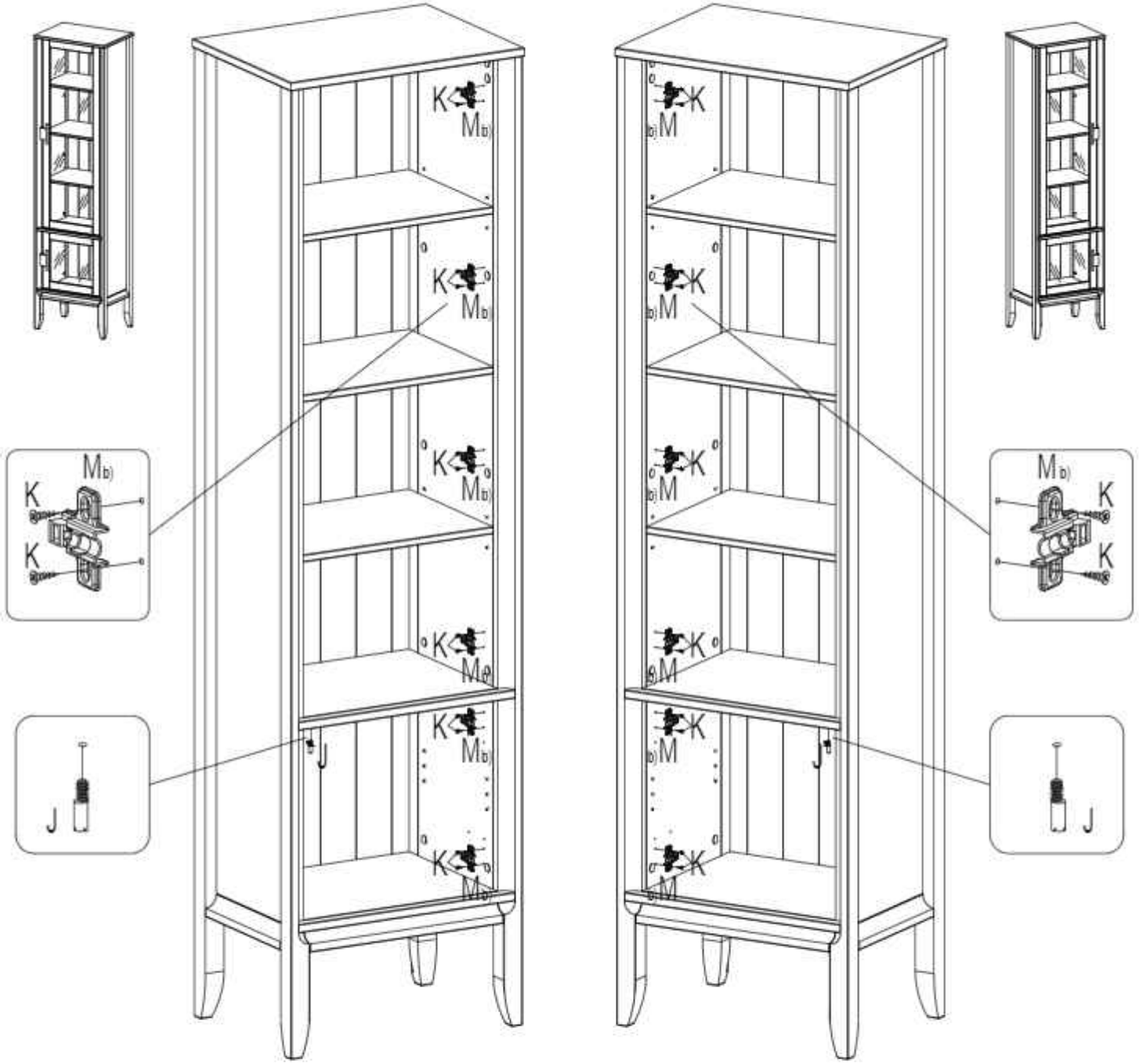
Z4 250044  
4x40 x1

Z3 250012  
3.5x15 x1

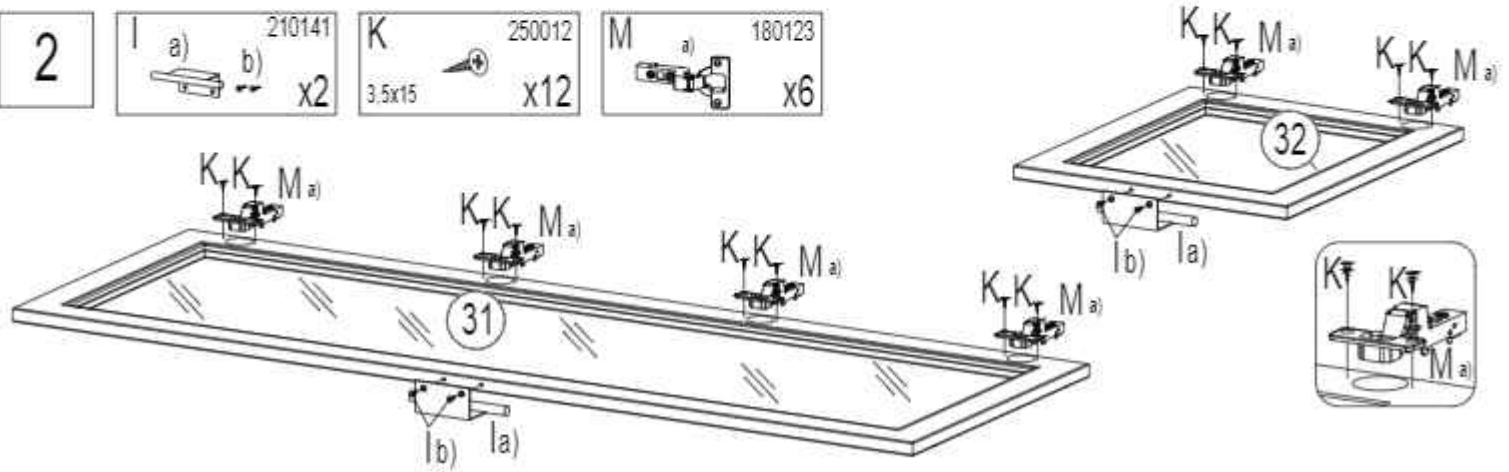


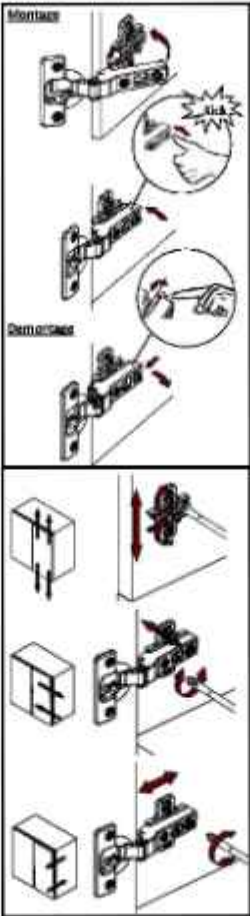
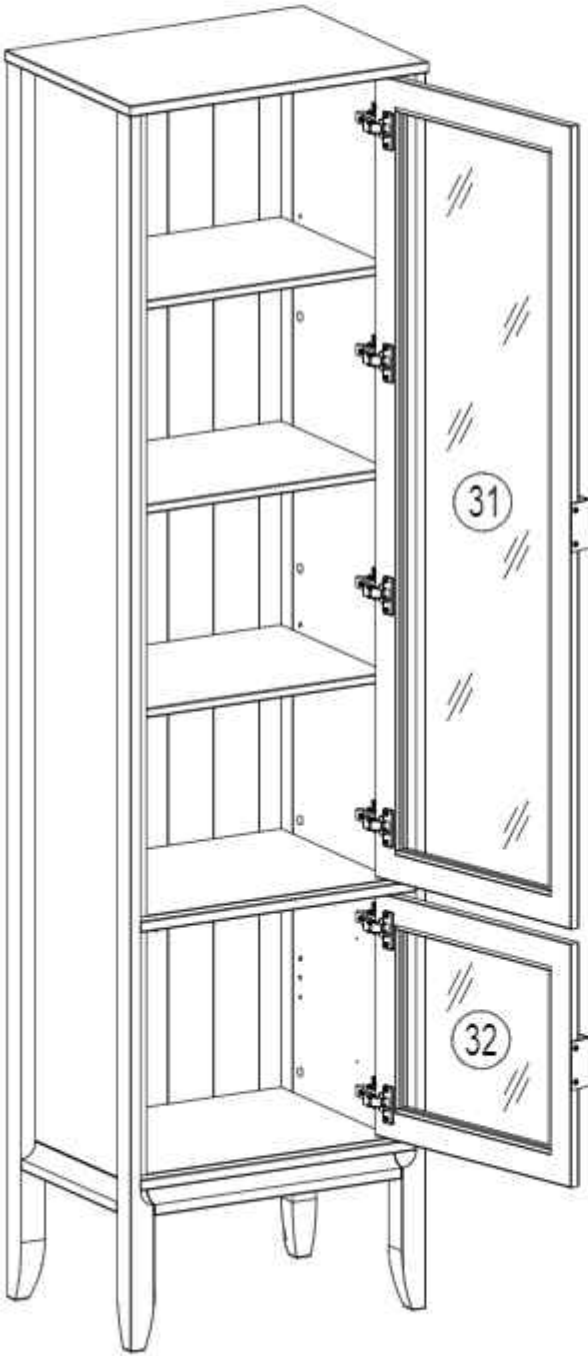
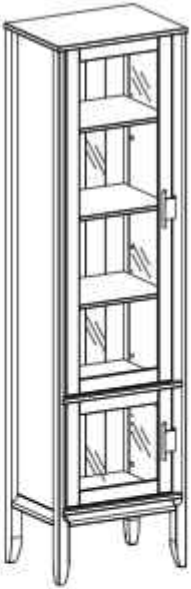
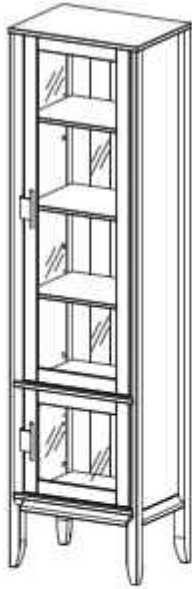
# B)

- |   |                |                           |                |
|---|----------------|---------------------------|----------------|
| 1 | J 140007<br>x1 | K 250012<br>3.5x15<br>x12 | M 180123<br>x6 |
|---|----------------|---------------------------|----------------|



- |   |                      |                           |                   |
|---|----------------------|---------------------------|-------------------|
| 2 | I a) 210141<br>b) x2 | K 250012<br>3.5x15<br>x12 | M a) 180123<br>x6 |
|---|----------------------|---------------------------|-------------------|

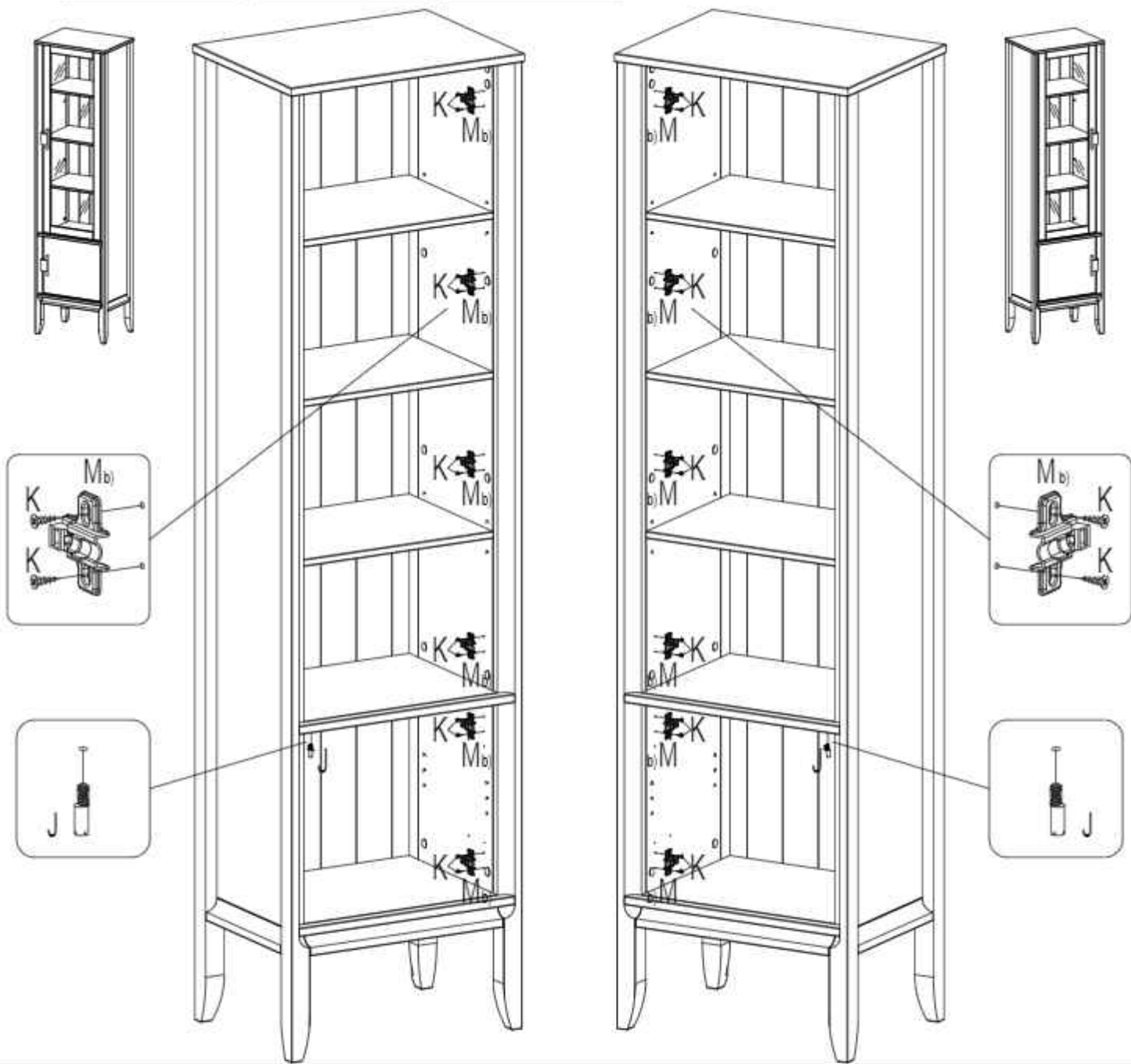




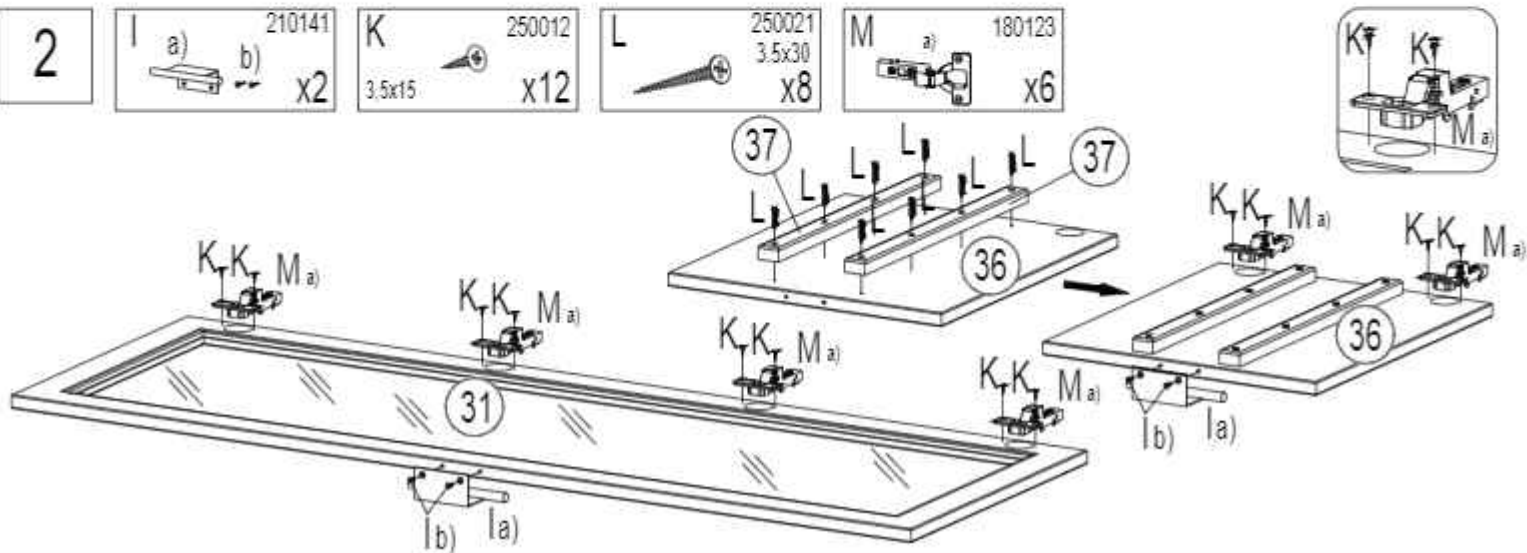


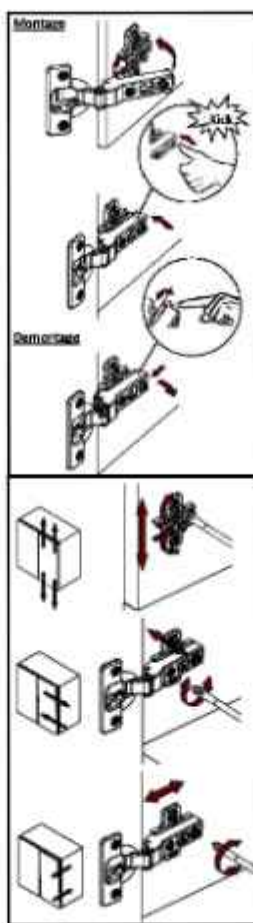
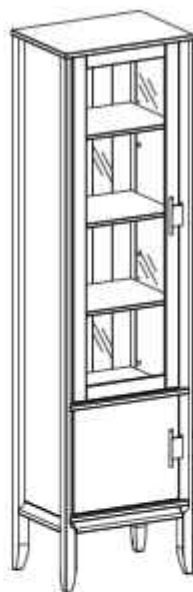
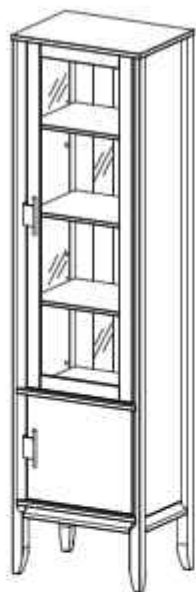
c)

- |   |             |                     |             |
|---|-------------|---------------------|-------------|
| 1 | J 140007 x1 | K 250012 3.5x15 x12 | M 180123 x6 |
|---|-------------|---------------------|-------------|



- |   |                   |                     |                    |                |
|---|-------------------|---------------------|--------------------|----------------|
| 2 | I a) b) 210141 x2 | K 250012 3.5x15 x12 | L 250021 3.5x30 x8 | M a) 180123 x6 |
|---|-------------------|---------------------|--------------------|----------------|





# D)

- |   |        |        |      |        |      |        |
|---|--------|--------|------|--------|------|--------|
| 1 | K      | 250012 | M(b) | 180123 | P(b) | 160064 |
|   | 3.5x15 | x20    | x4   | x4     | x4   | x4     |

