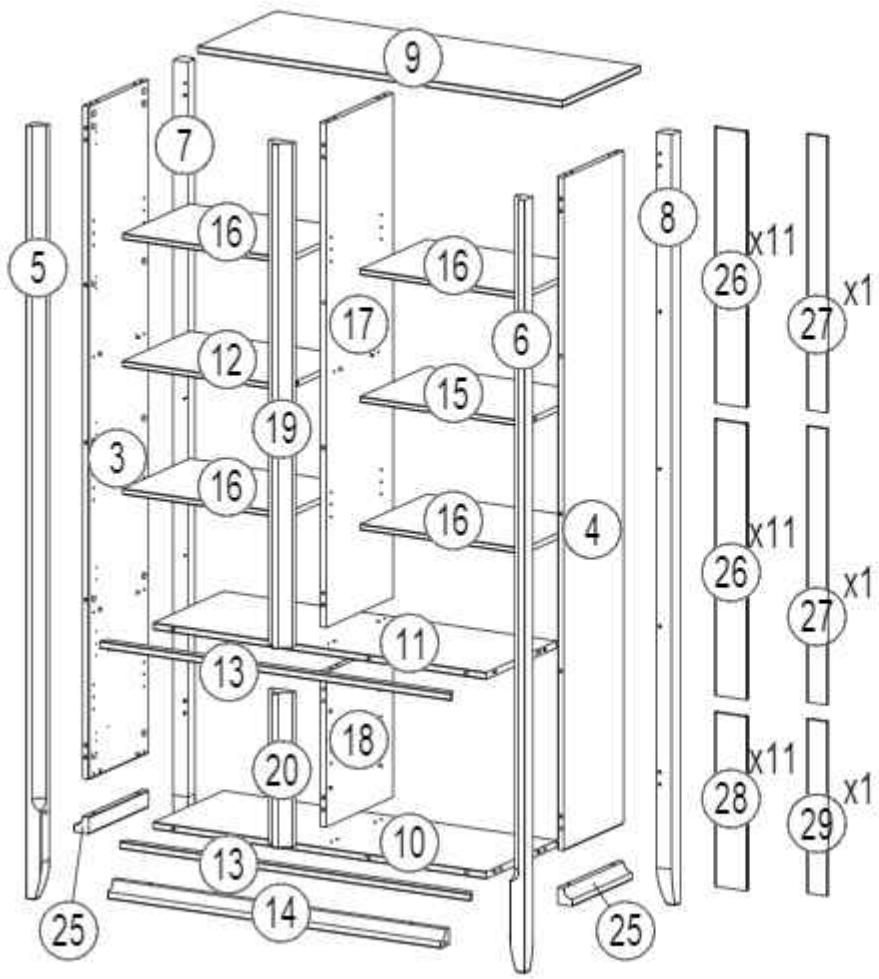


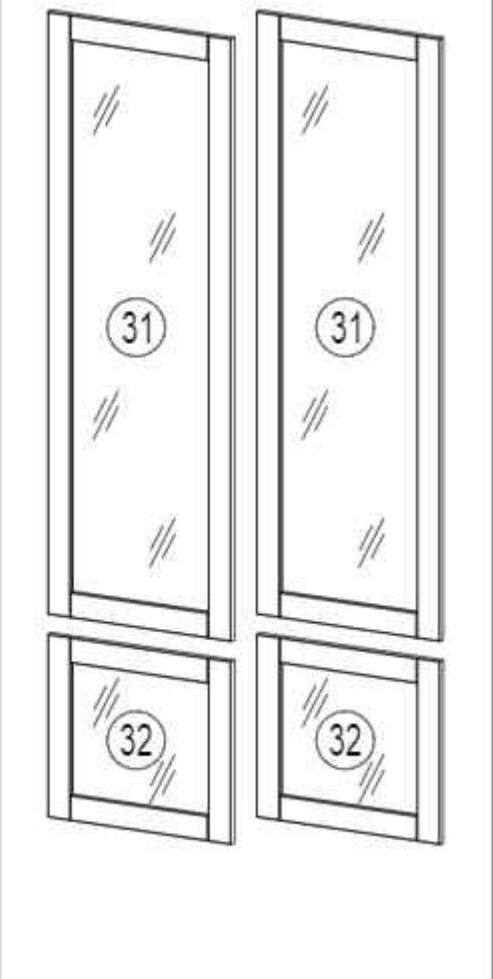
120 min

0  
10  
20  
30  
40  
50  
60  
70  
80  
90  
100  
110  
120  
130  
140  
150  
160  
170  
180

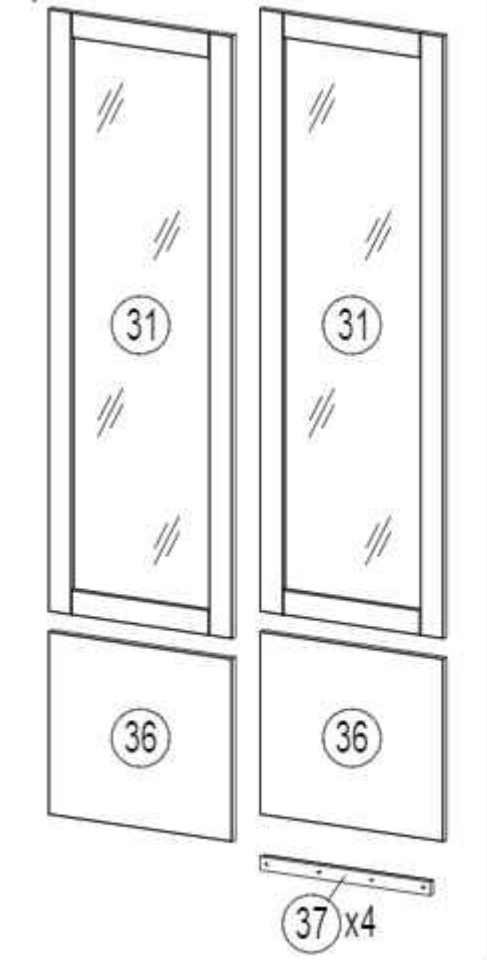
A)



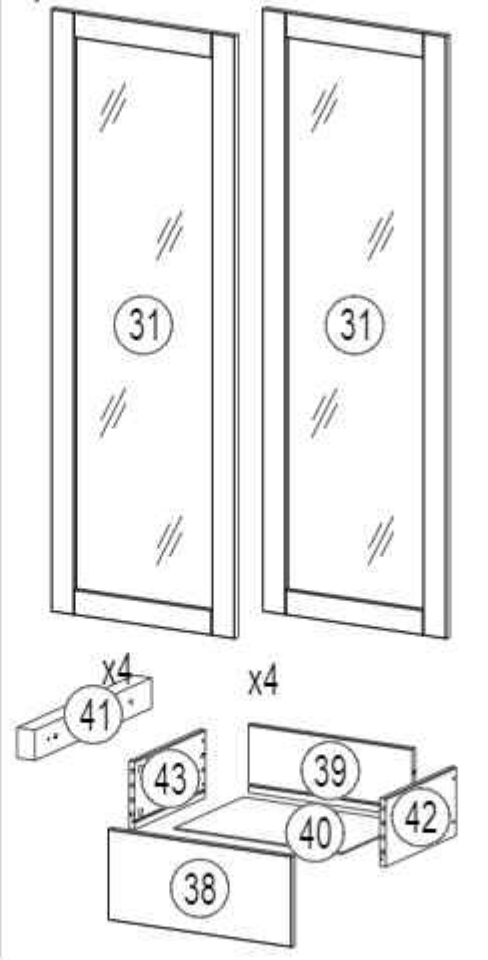
B)



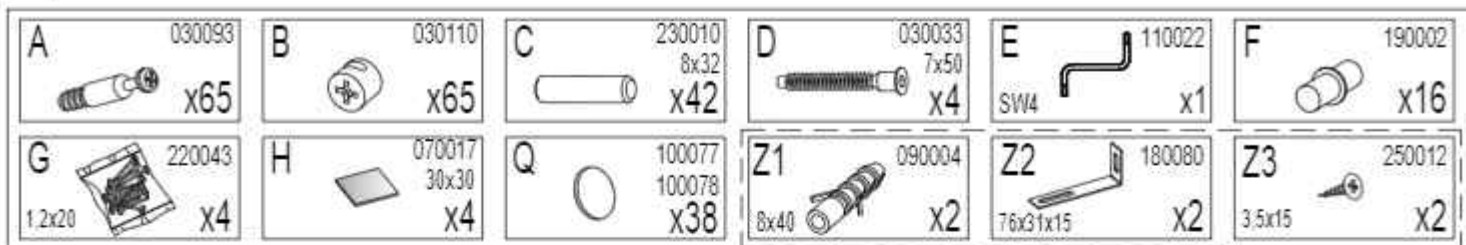
C)



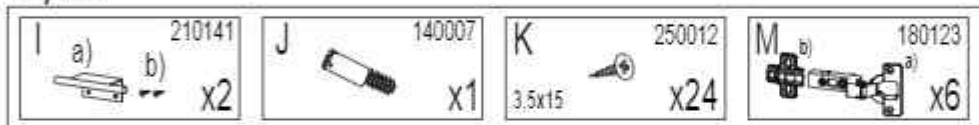
D)



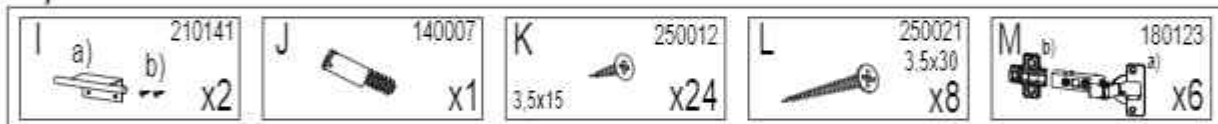
**A)**



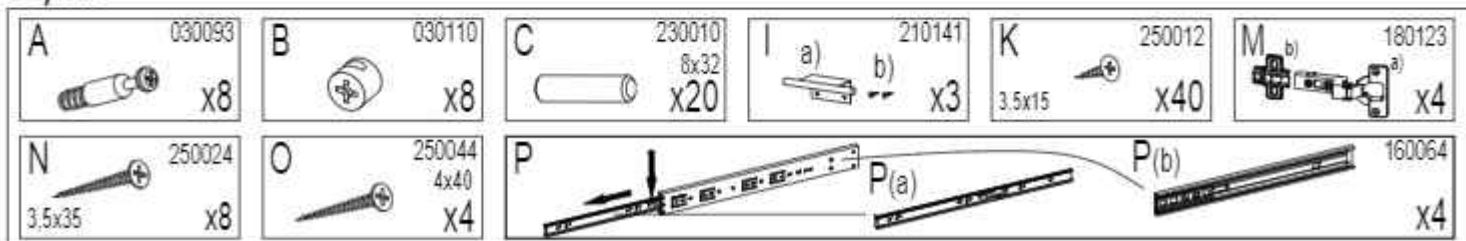
**B) x 2**



**C) x 2**



**D) x 2**



**A)**

No	Size/MaB (mm)	Qty	✓	No	Size/MaB (mm)	Qty	✓
3	1778x306x18	1		15	482x342x15	1	
4	1778x306x18	1		16	482x342x15	4	
5	2042x44x44	1		17	1333x342x18	1	
6	2042x44x44	1		18	409x342x18	1	
7	2042x44x44	1		19	1333x70x44	1	
8	2042x44x44	1		20	409x70x44	1	
9	1076x400x18	1		25	306x44x44	2	
10	982x368x18	1		26	675x89x8	22	
11	982x360x18	1		27	675x78x8	2	
12	482x342x15	1		28	426x89x8	11	
13	1034x26x18	2		29	426x78x8	1	
14	982x44x44	1					

**B) x 2**

Nº	Size/MaB (mm)	Qty	✓	Nº	Size/MaB (mm)	Qty	✓
31	1327x450x18	1		32	403x450x18	1	

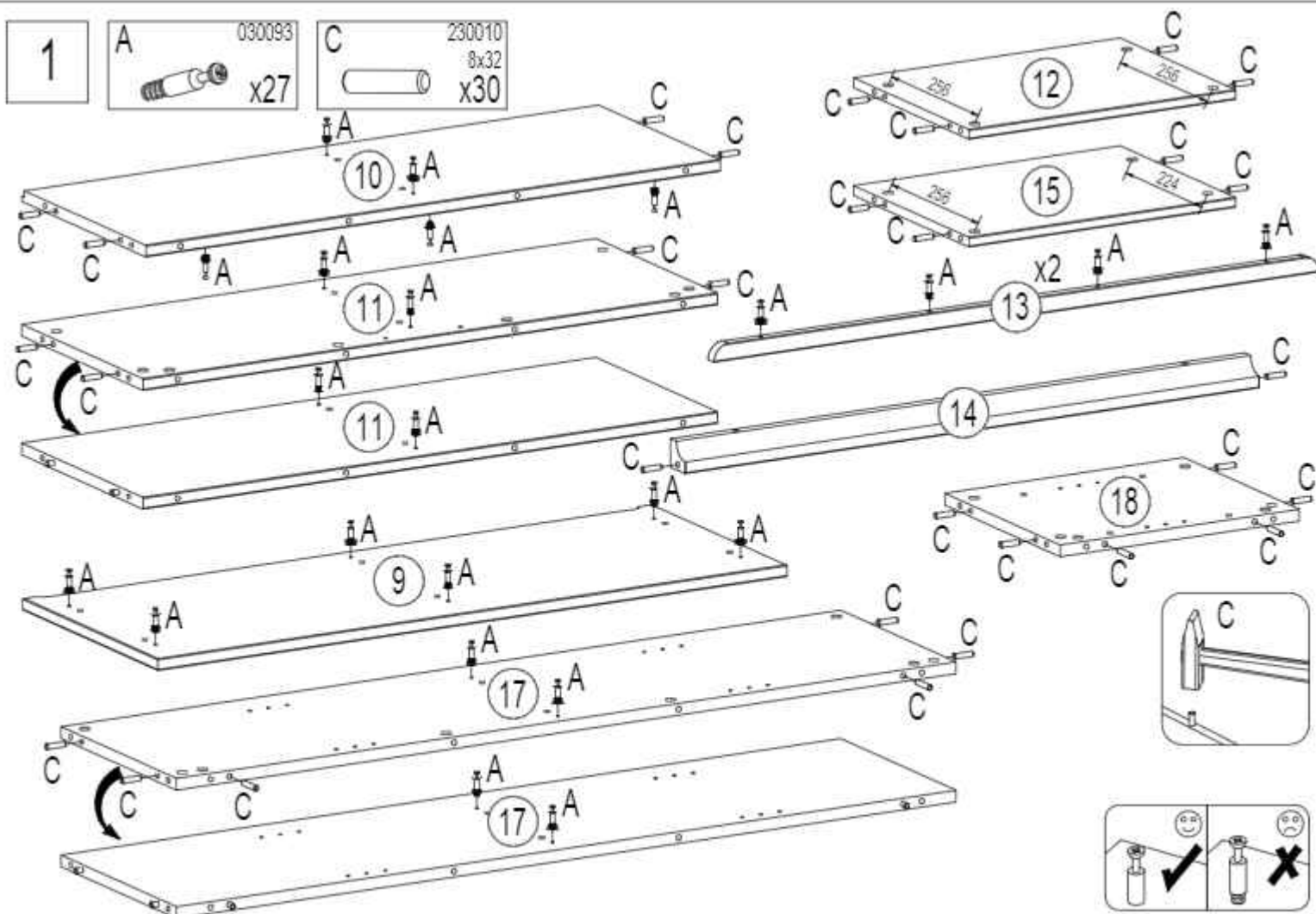
**C) x 2**

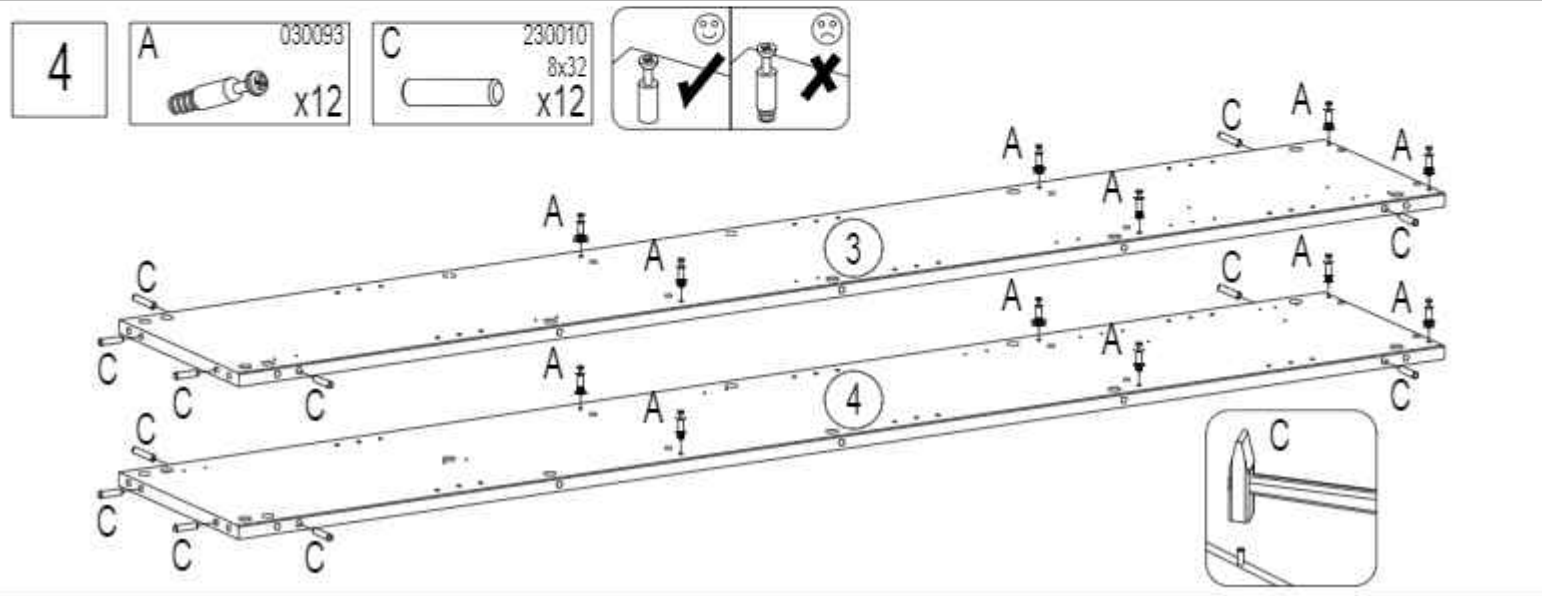
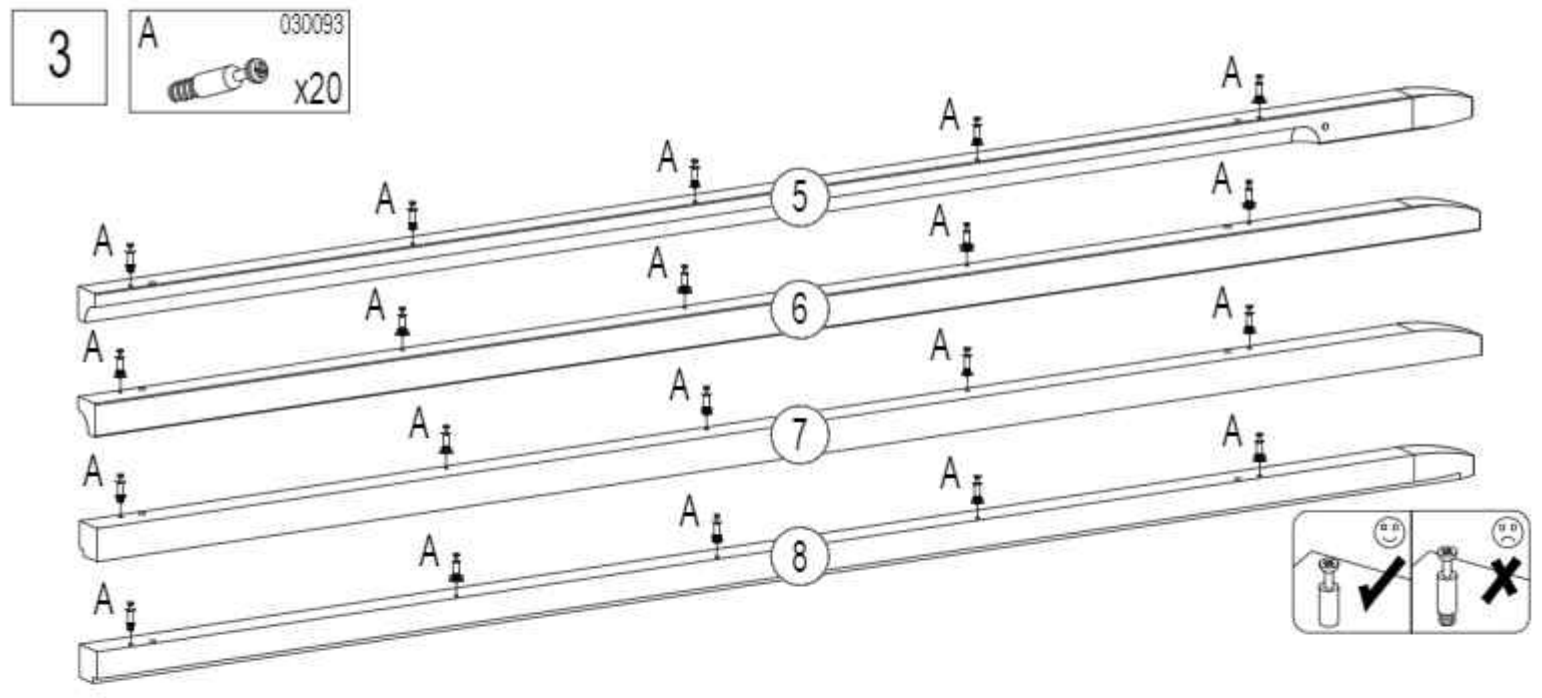
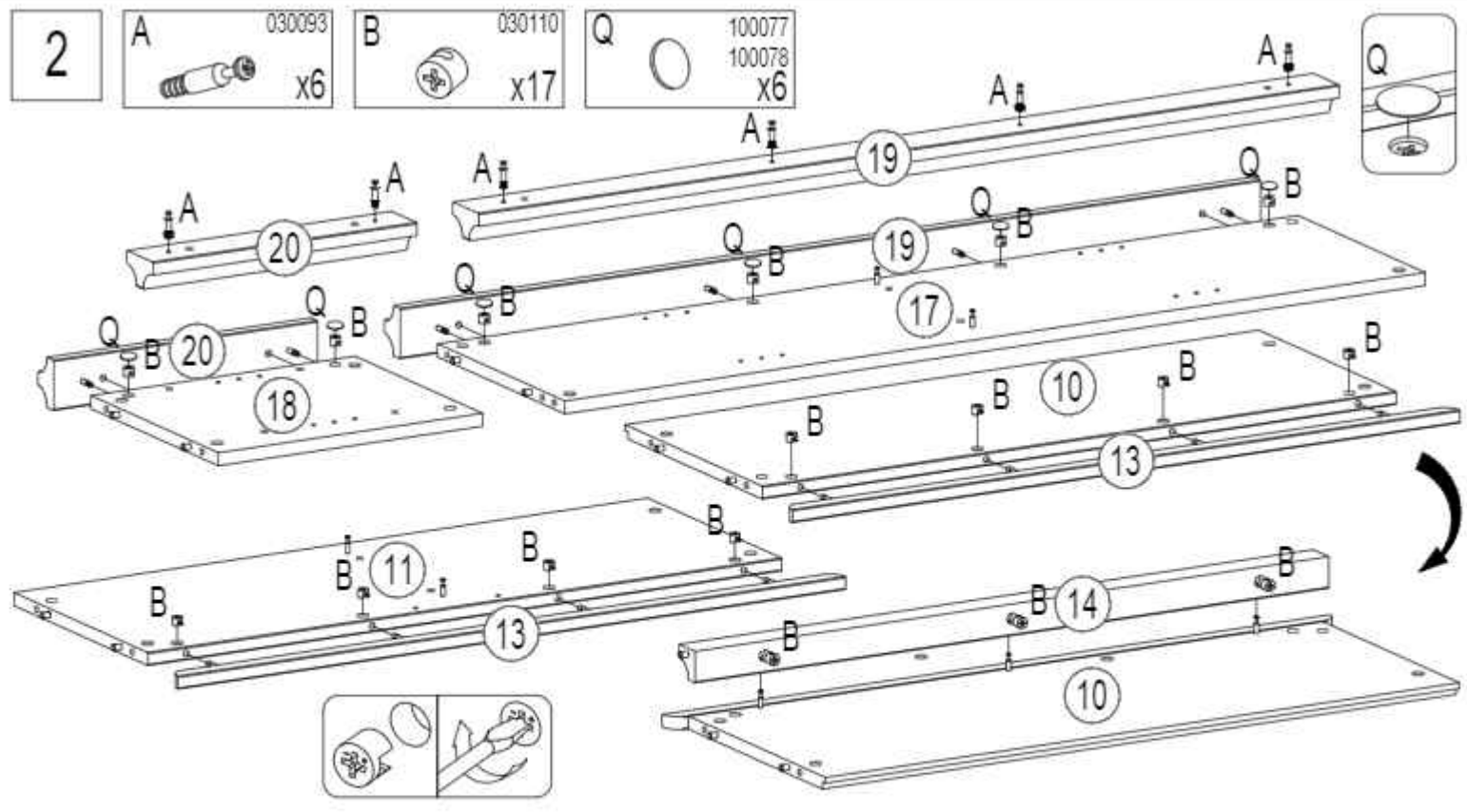
Nº	Size/MaB (mm)	Qty	✓	Nº	Size/MaB (mm)	Qty	✓
31	1327x450x18	1		37	416x30x18	2	
36	403x450x18	1					

**D) x 2**

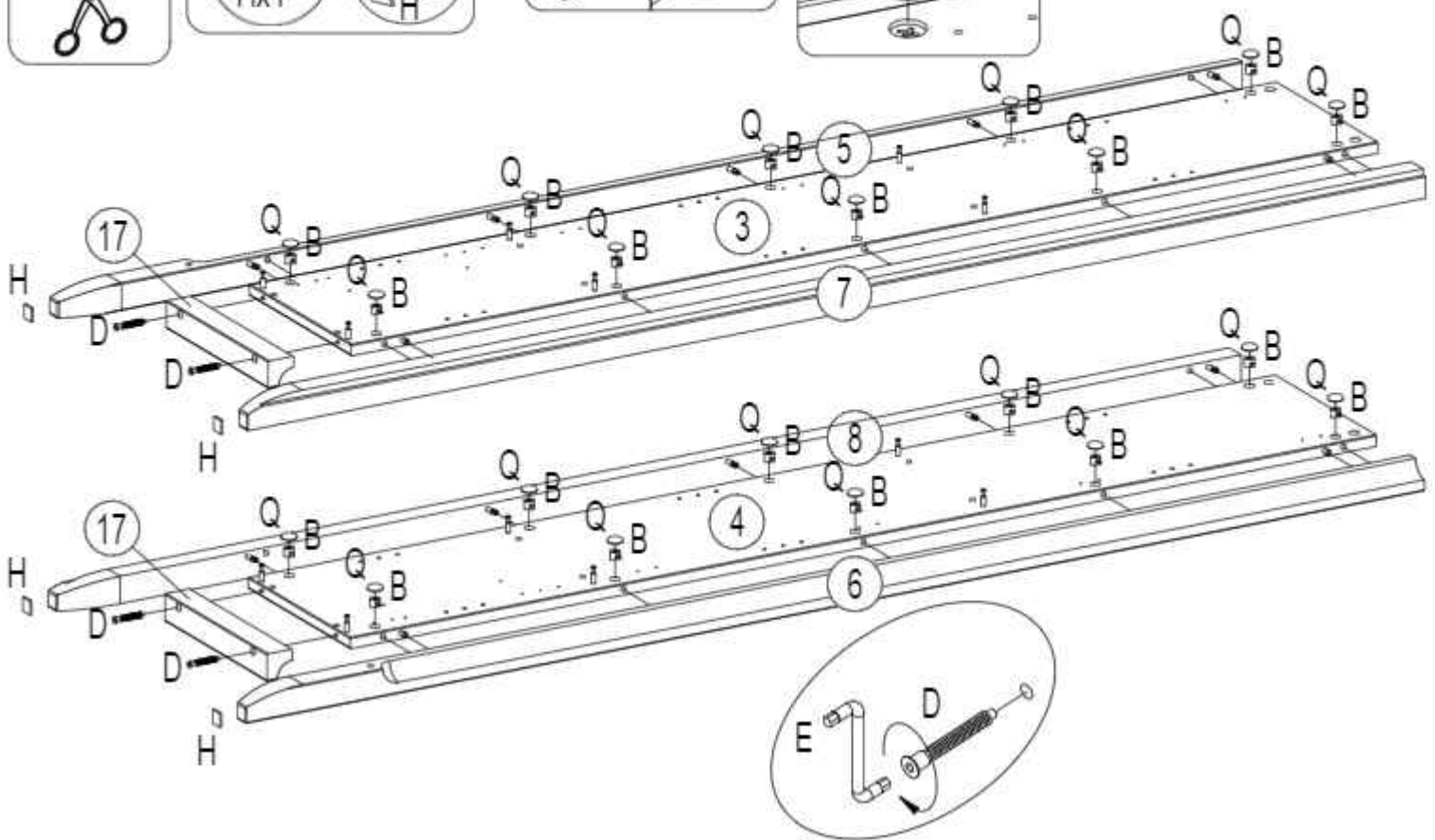
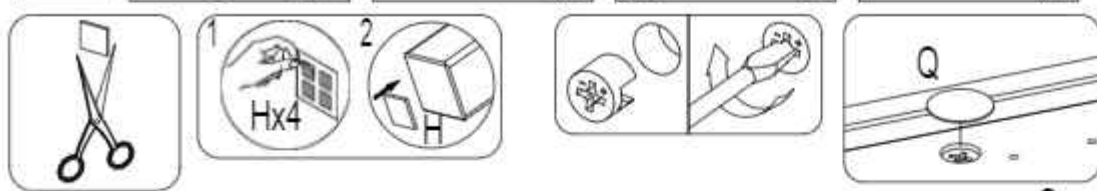
Nº	Size/MaB (mm)	Qty	✓	Nº	Size/MaB (mm)	Qty	✓
31	1327x450x18	1		41	298x40x26	2	
38	450x200x18	2		42	300x150x14	2	
39	402x150x14	2		43	300x150x14	2	
40	411x292x3	2					

**A)**

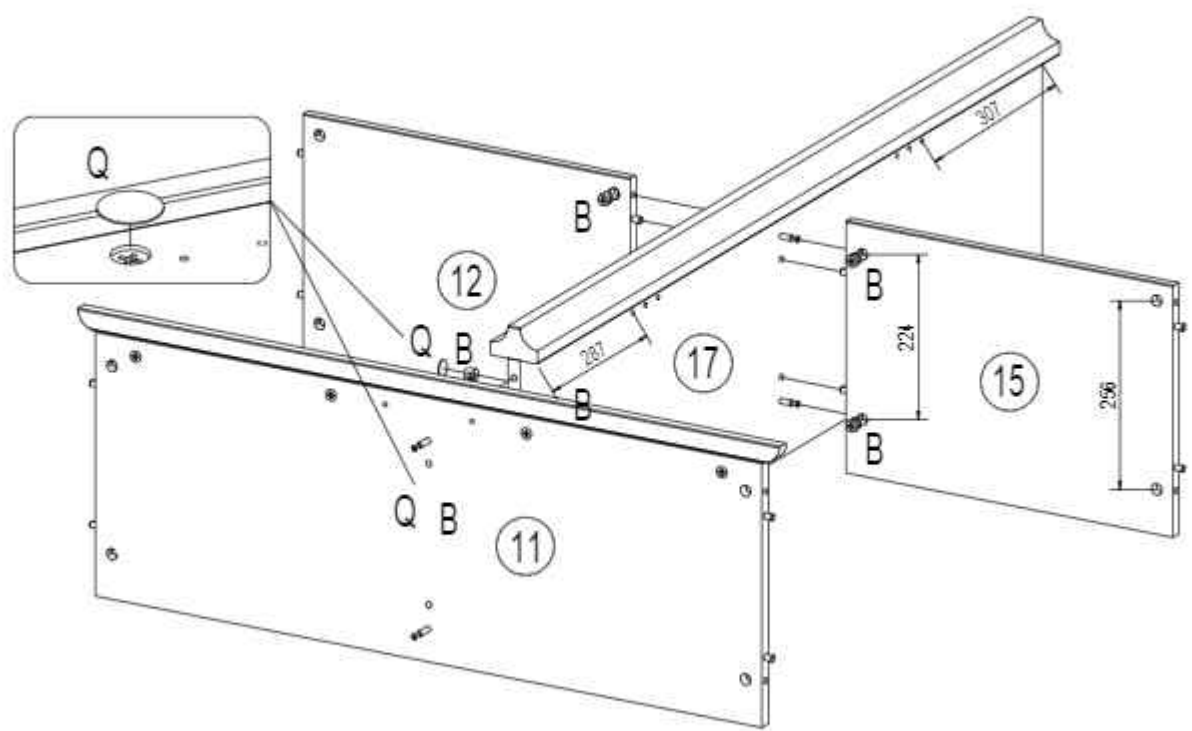
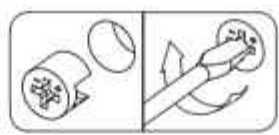




- |          |                        |                               |                              |                                |                                  |
|----------|------------------------|-------------------------------|------------------------------|--------------------------------|----------------------------------|
| <b>5</b> | <b>B</b> 030110<br>x20 | <b>D</b> 030033<br>7x50<br>x4 | <b>E</b> 110022<br>SW4<br>x1 | <b>H</b> 070017<br>30x30<br>x4 | <b>Q</b> 100077<br>100078<br>x20 |
|----------|------------------------|-------------------------------|------------------------------|--------------------------------|----------------------------------|

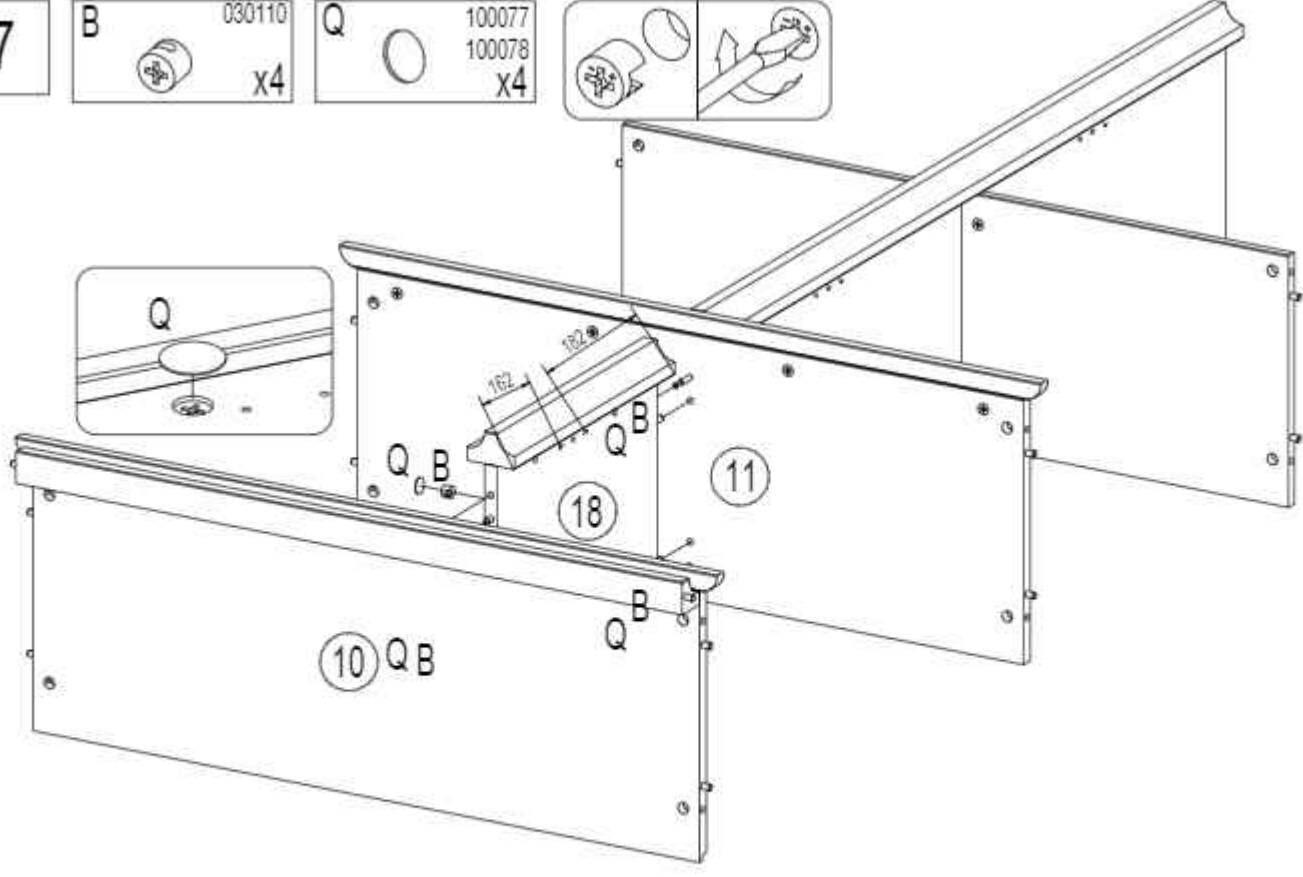


- |          |                       |                                 |
|----------|-----------------------|---------------------------------|
| <b>6</b> | <b>B</b> 030110<br>x6 | <b>Q</b> 100077<br>100078<br>x2 |
|----------|-----------------------|---------------------------------|

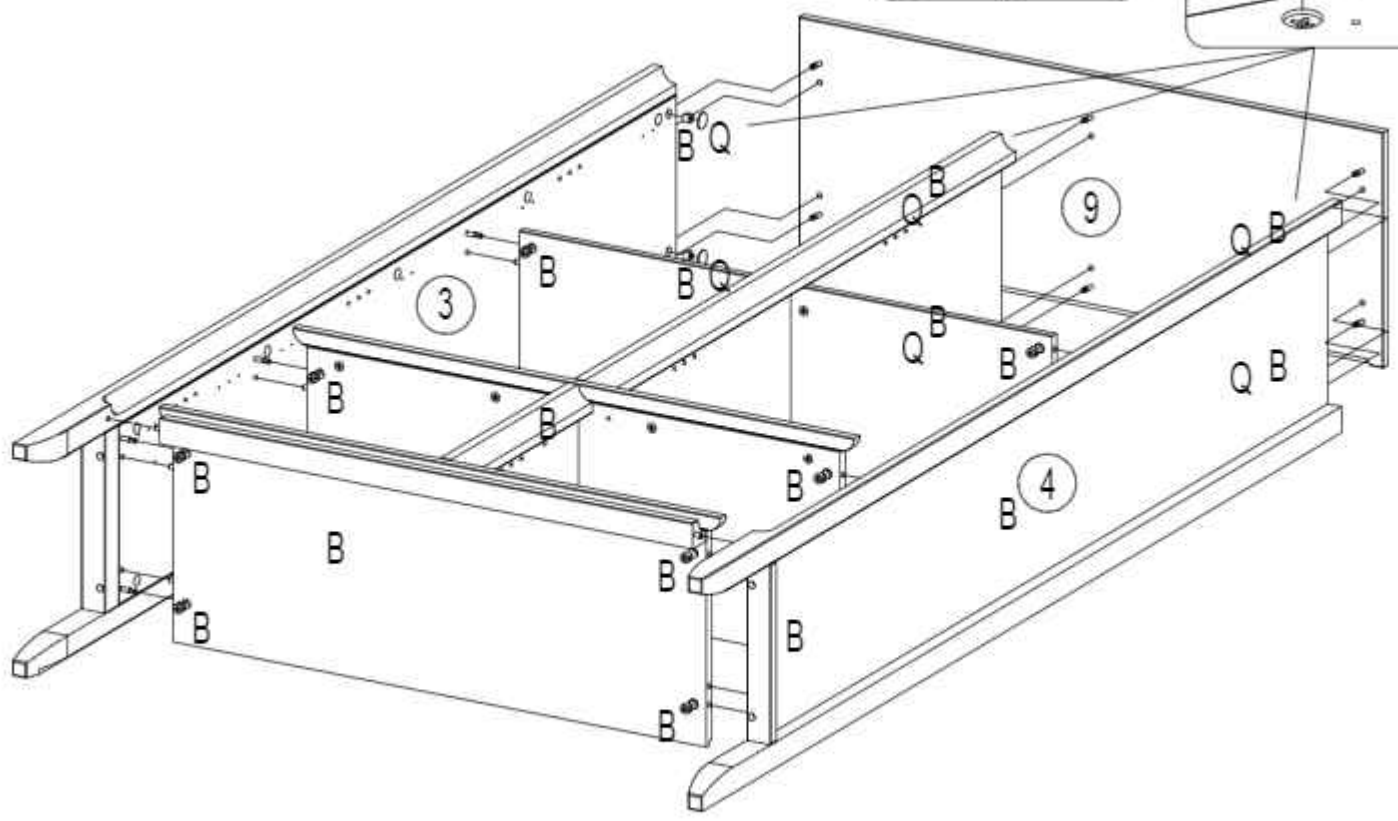
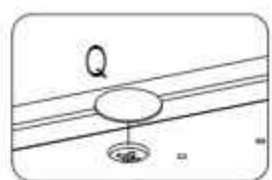
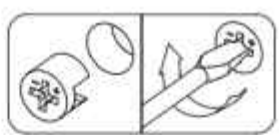




- |   |   |        |   |        |
|---|---|--------|---|--------|
| 7 | B | 030110 | Q | 100077 |
|   |   | x4     |   | 100078 |
|   |   |        |   | x4     |



- |   |   |        |   |        |
|---|---|--------|---|--------|
| 8 | B | 030110 | Q | 100077 |
|   |   | x18    |   | 100078 |
|   |   |        |   | x6     |



9

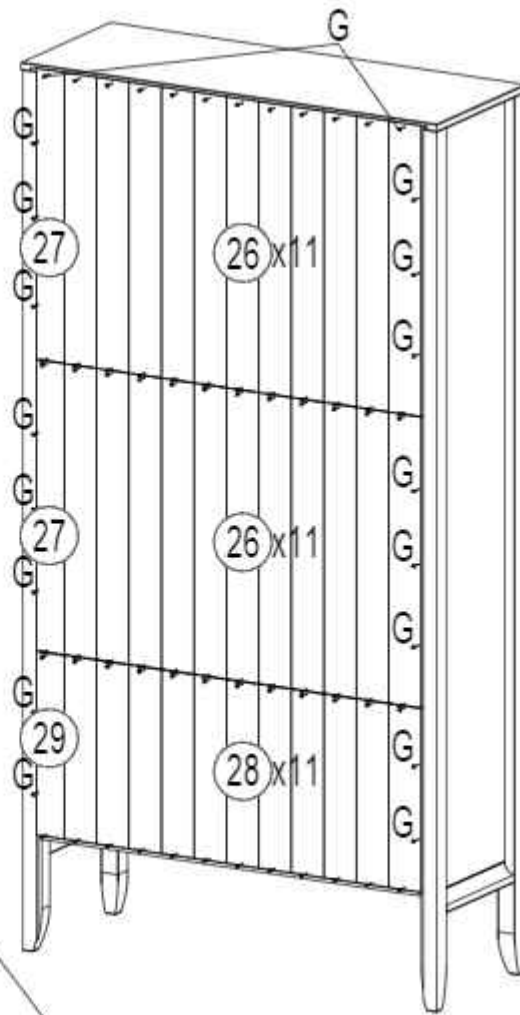
G



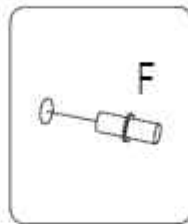
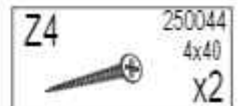
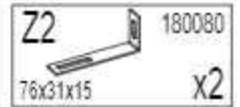
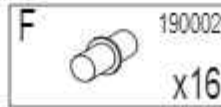
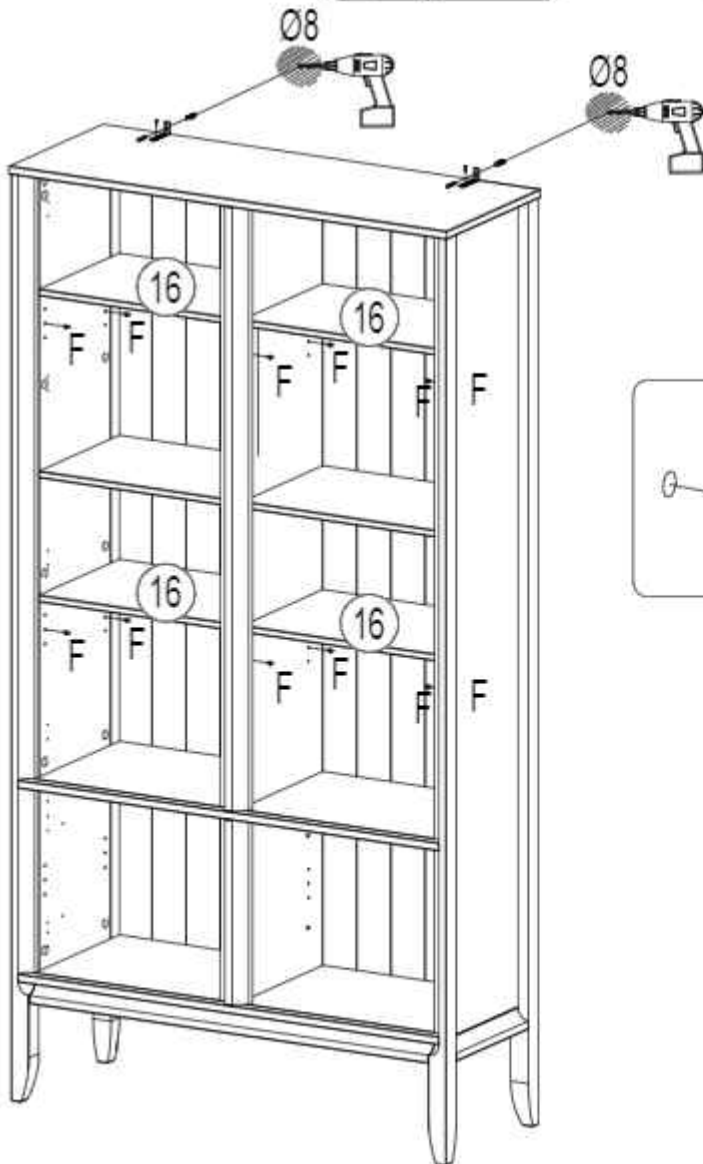
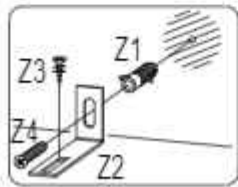
220043

1.2x20

x4



10






# B)

1


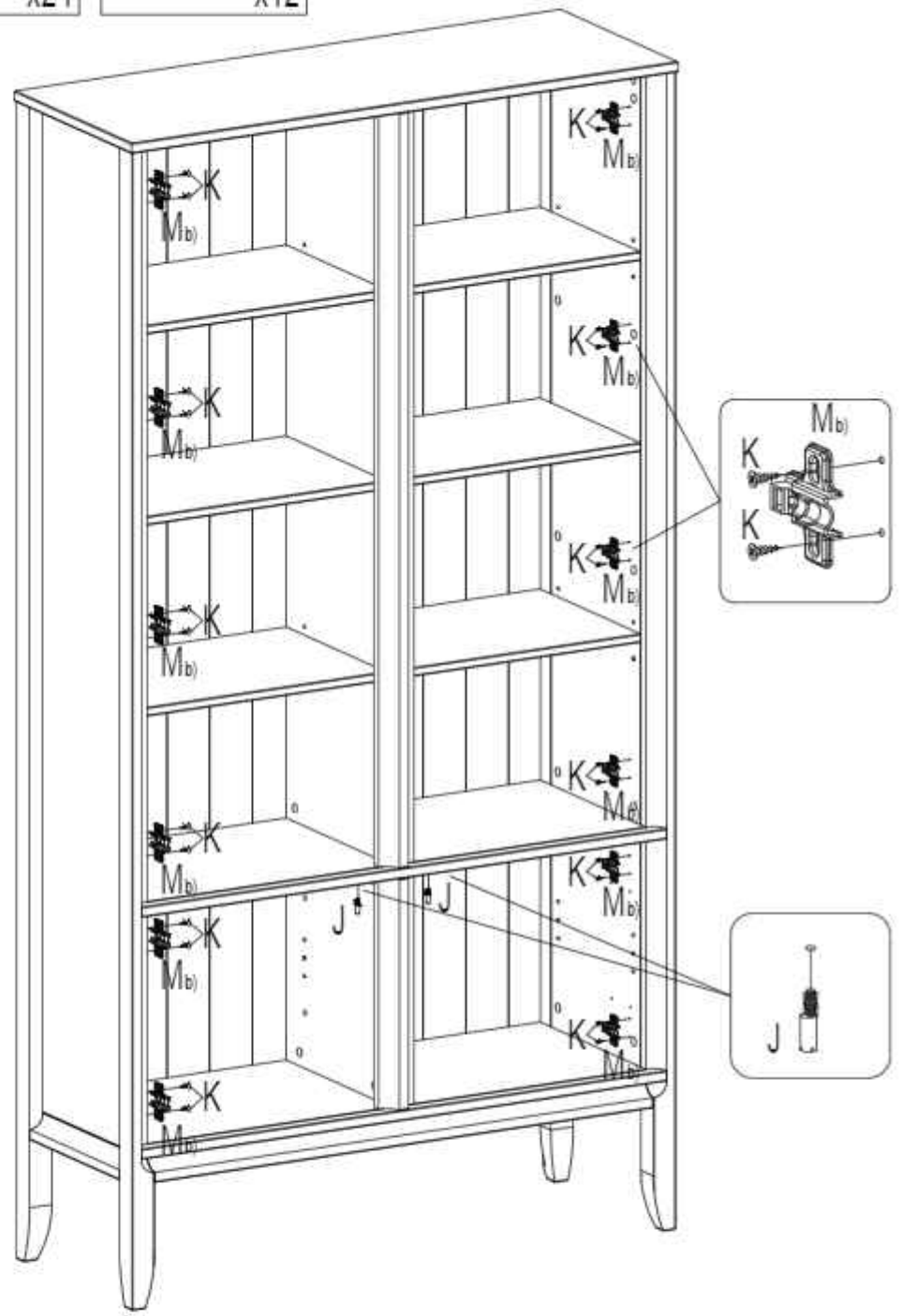
J 140007 x2



K 250012 x24  
3.5x15




M 180123 x12

2


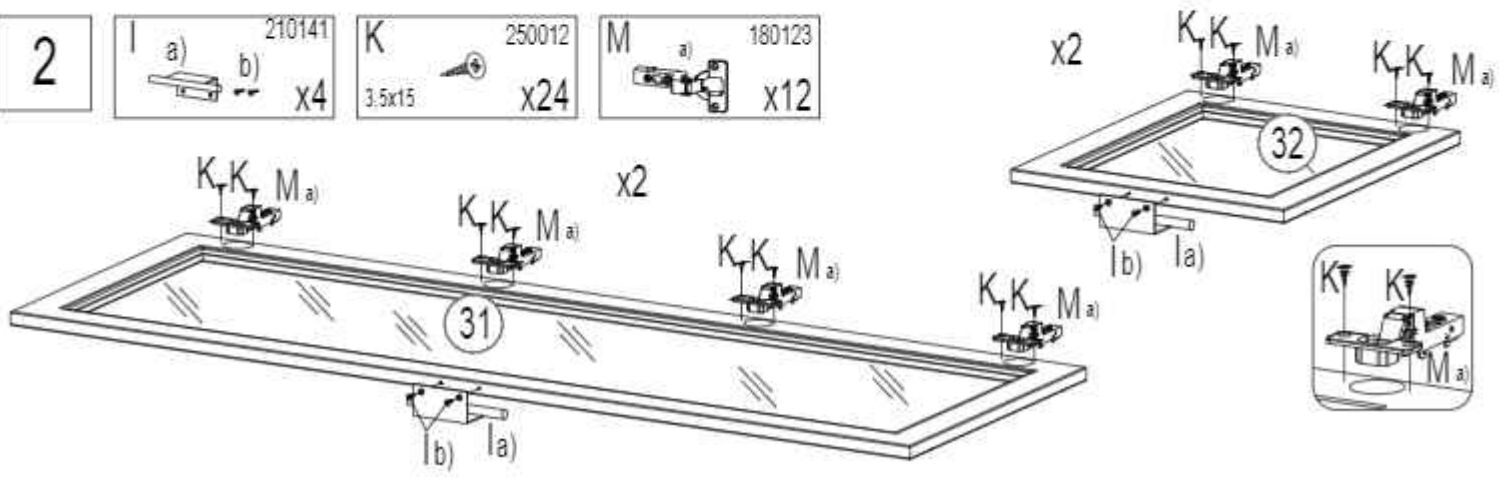
I a) 210141 x4  
b)

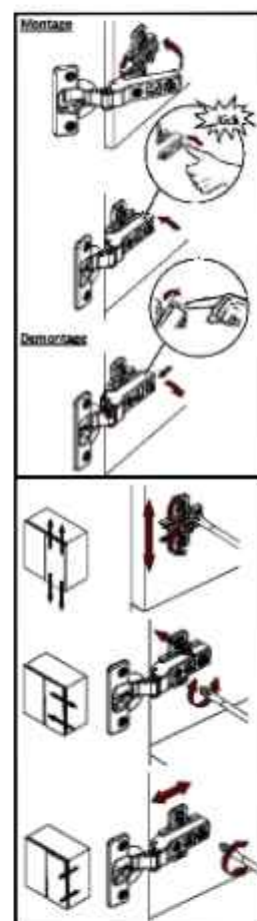
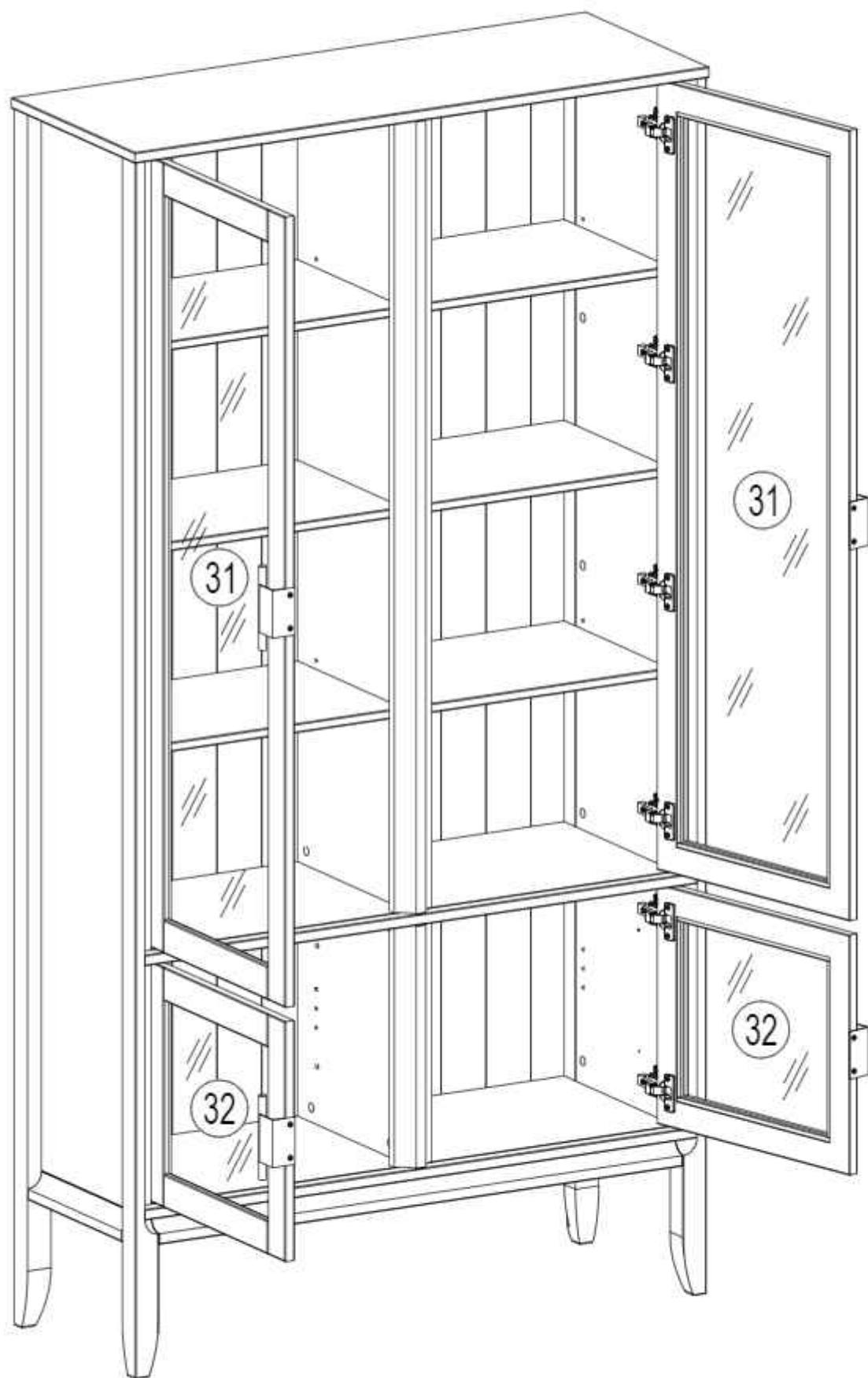


K 250012 x24  
3.5x15



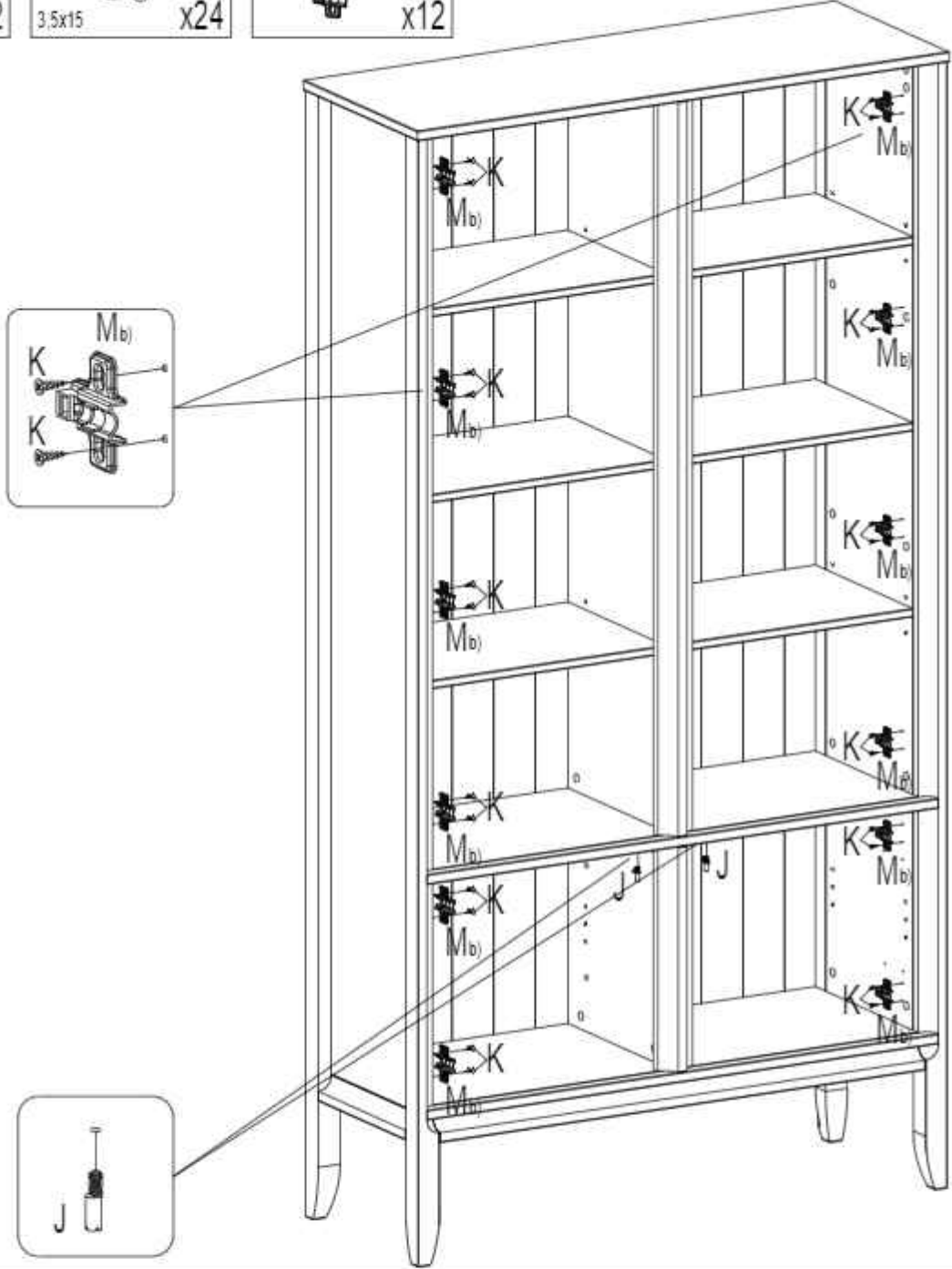
M a) 180123 x12  
b)

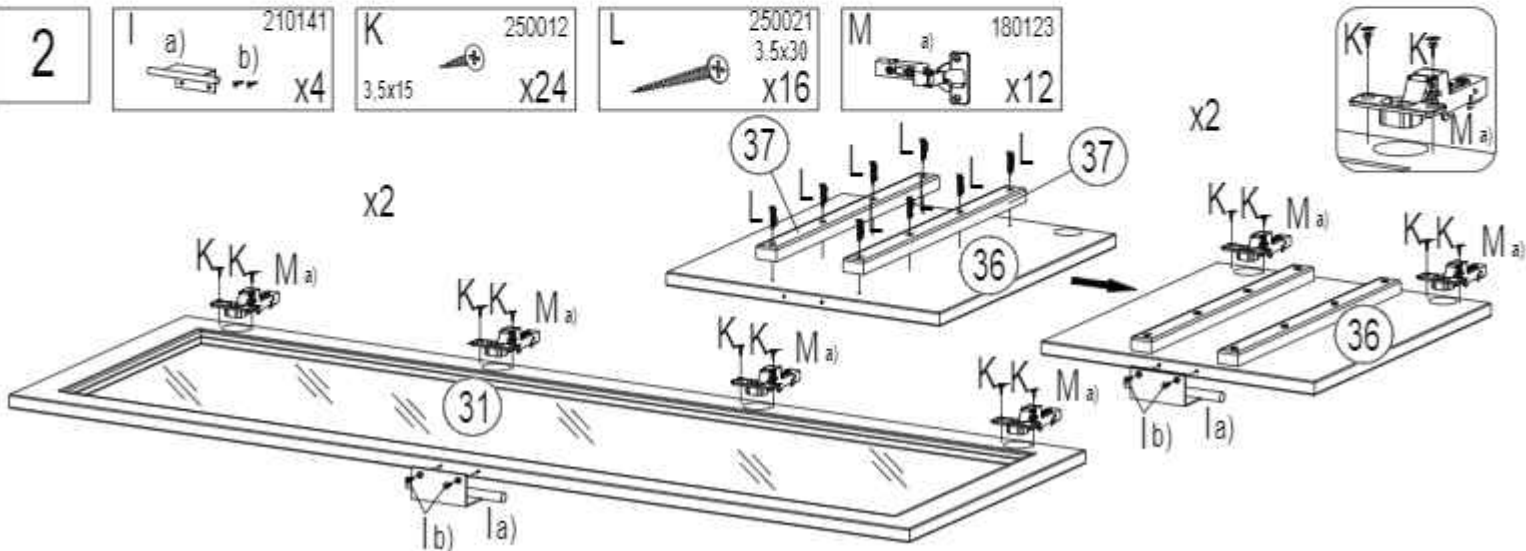


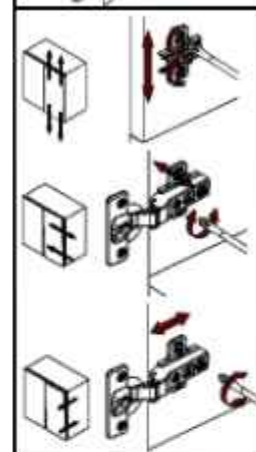
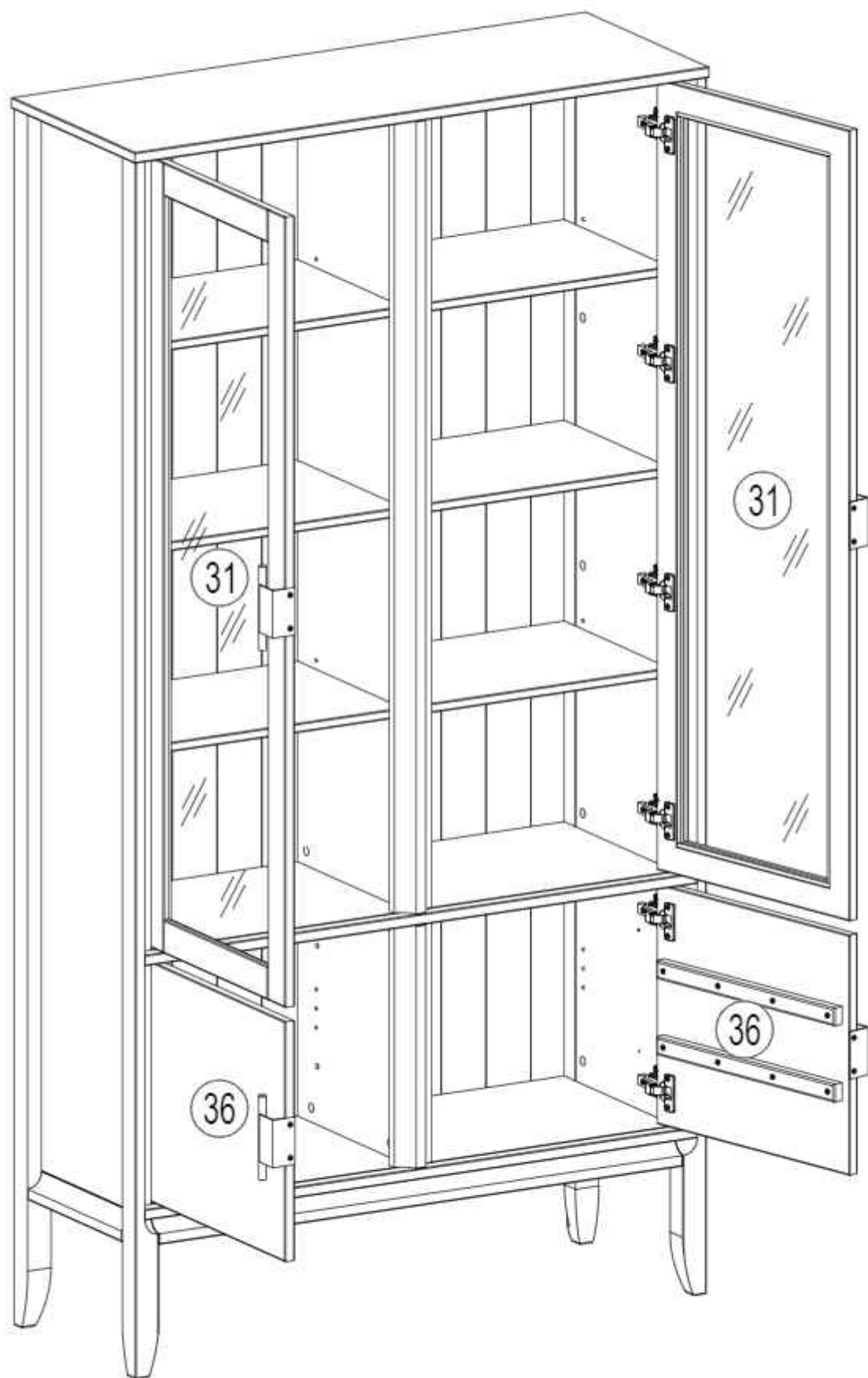
c)

- 1
- J 140007 x2
- K 250012 3.5x15 x24
- M 180123 x12



- 2
- I a) b) 210141 x4
- K 250012 3.5x15 x24
- L 250021 3.5x30 x16
- M a) 180123 x12





# D)

- |   |        |        |   |        |   |        |      |        |      |        |
|---|--------|--------|---|--------|---|--------|------|--------|------|--------|
| 1 | K      | 250012 | C | 230010 | O | 250044 | M(b) | 180123 | P(b) | 160064 |
|   | 3.5x15 | x40    |   | 8x32   |   | 4x40   |      | x8     |      | x8     |

