

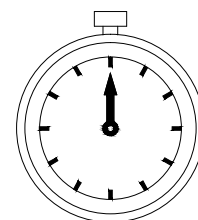
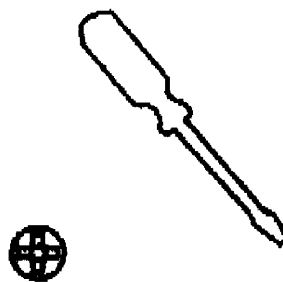
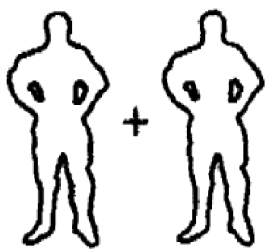
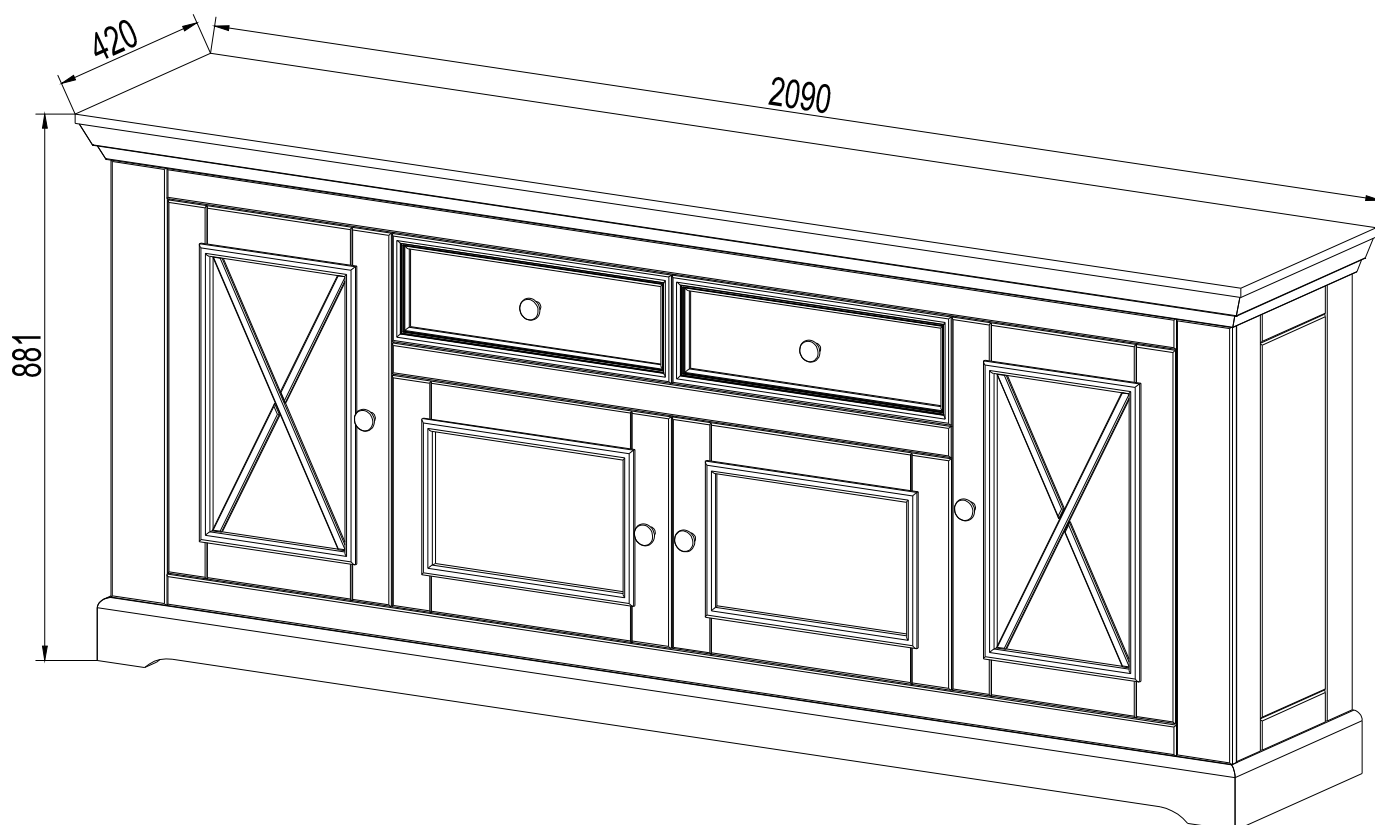


«SanRemi»

<http://www.sanremi.ru>

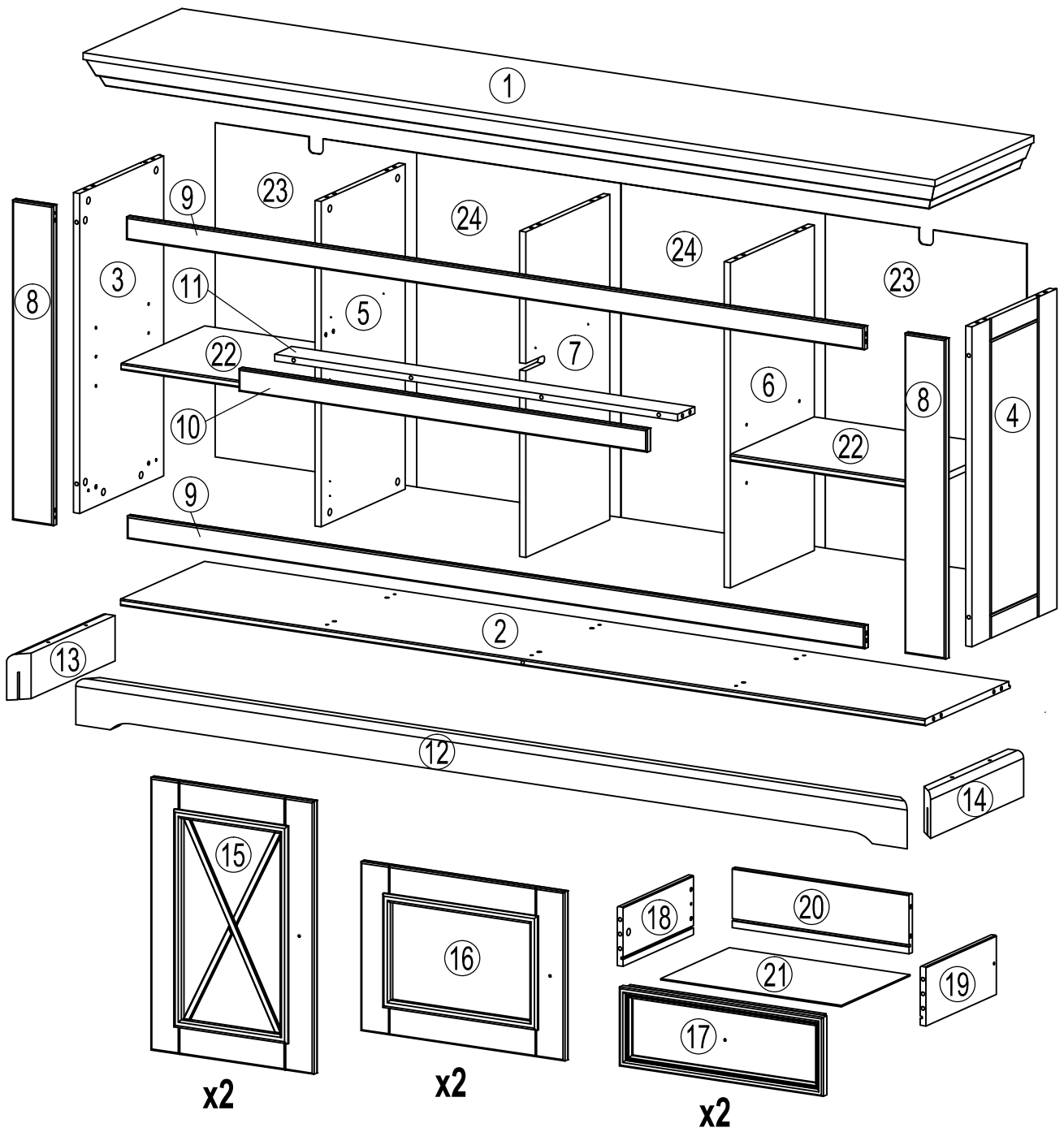
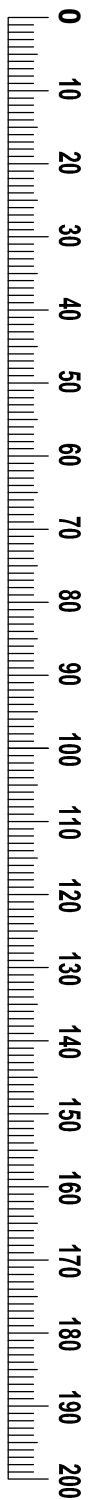
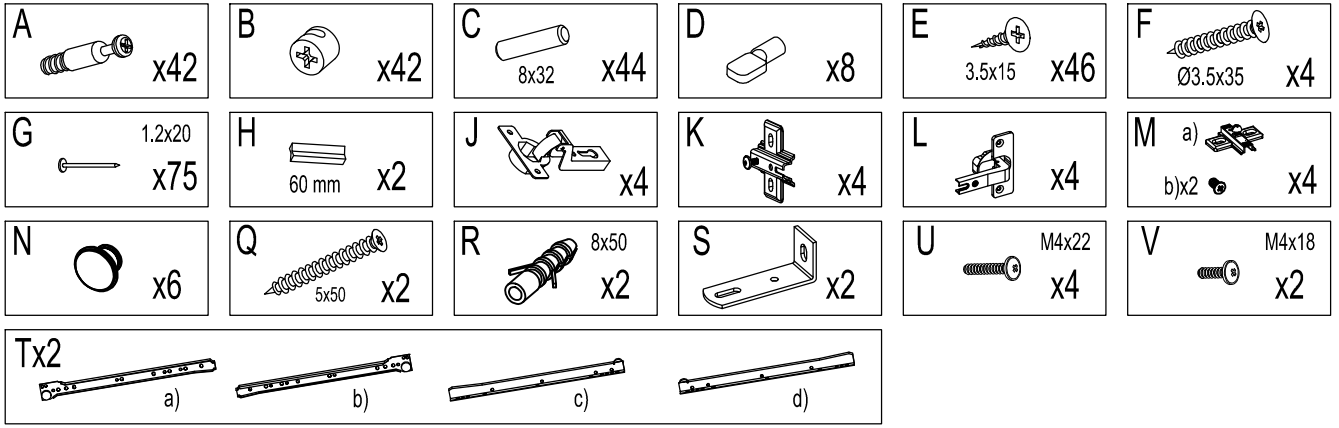
e-mail: sanremi@list.ru

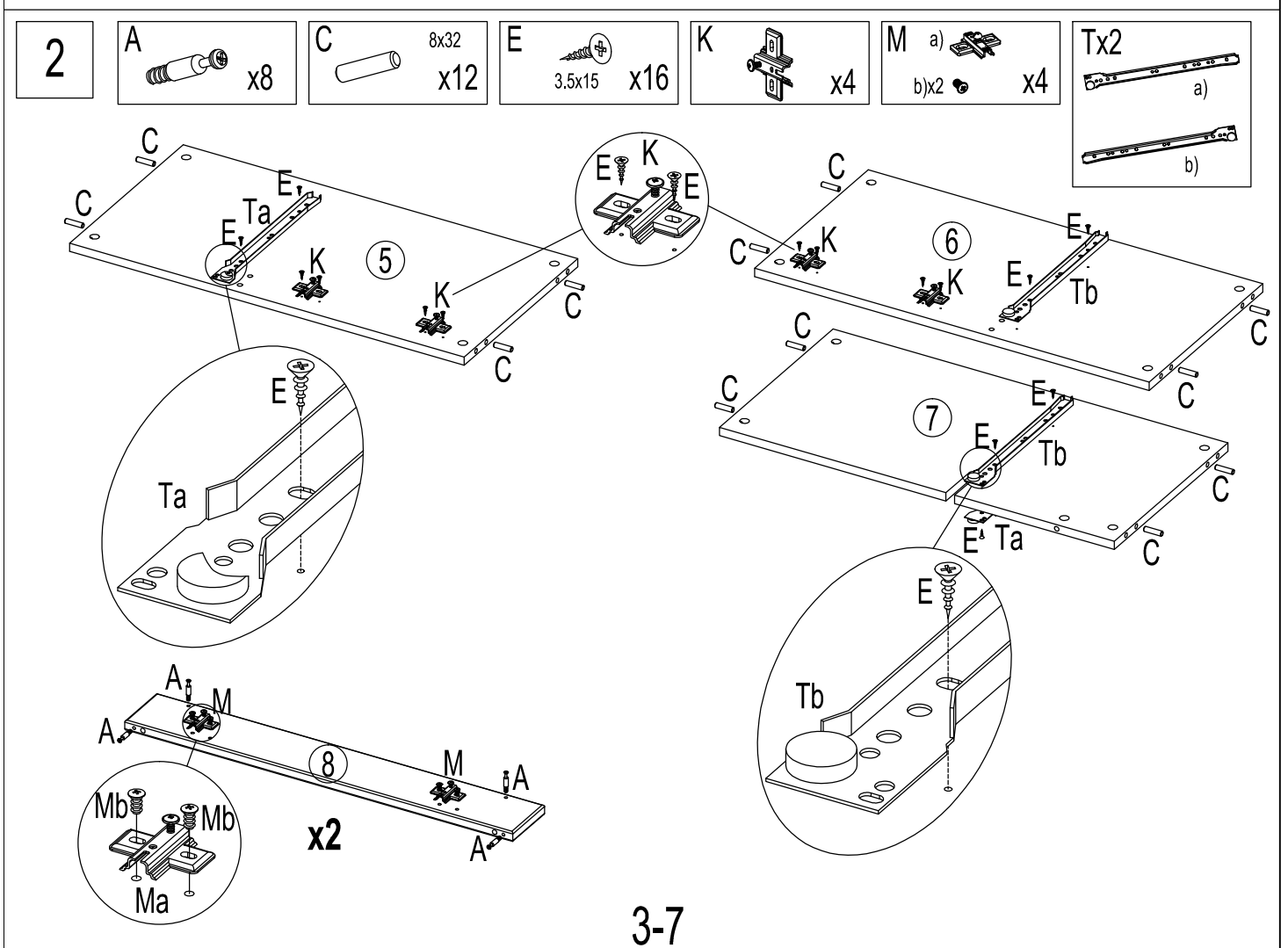
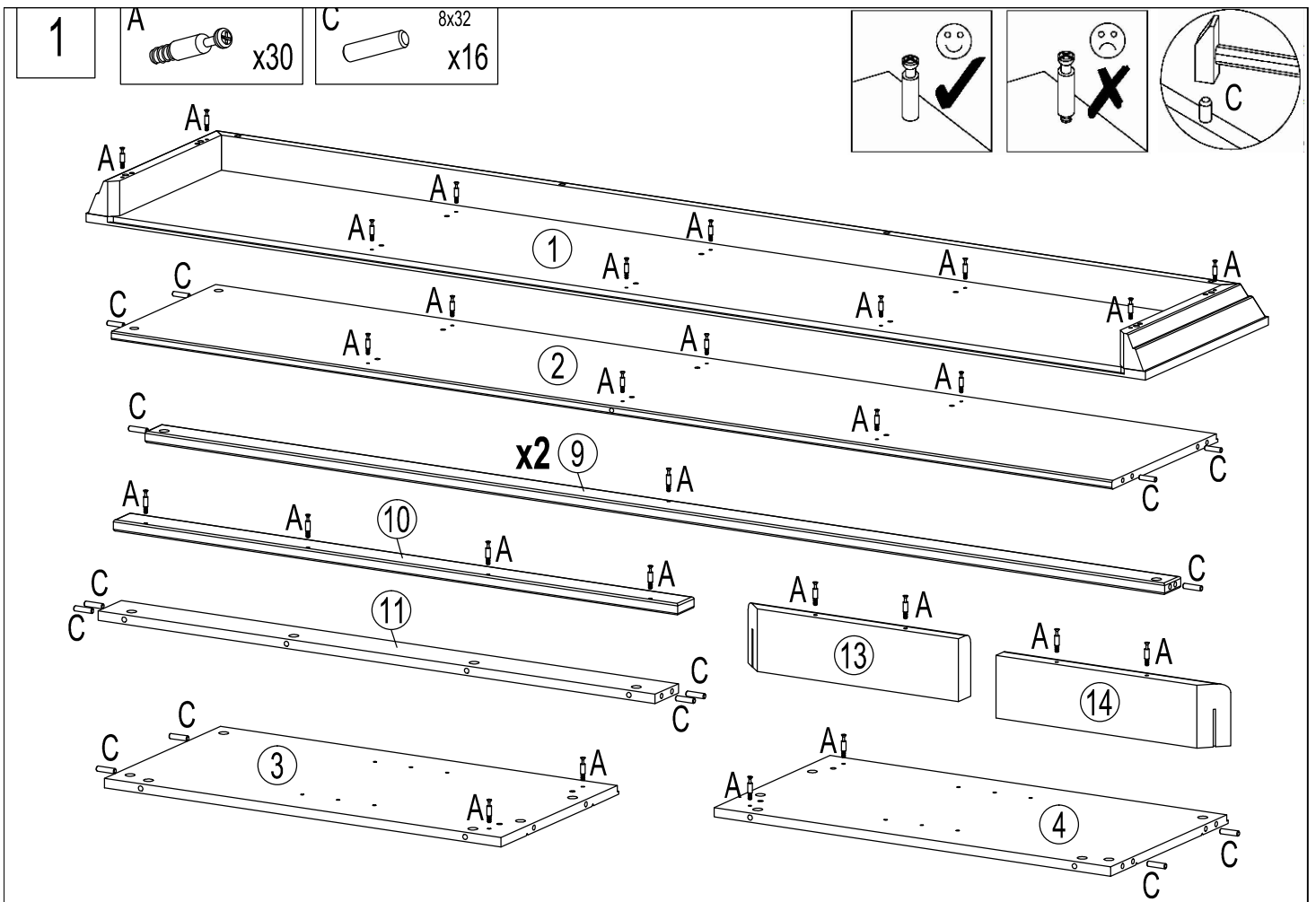
+7 (812) 920-36-23



70 min

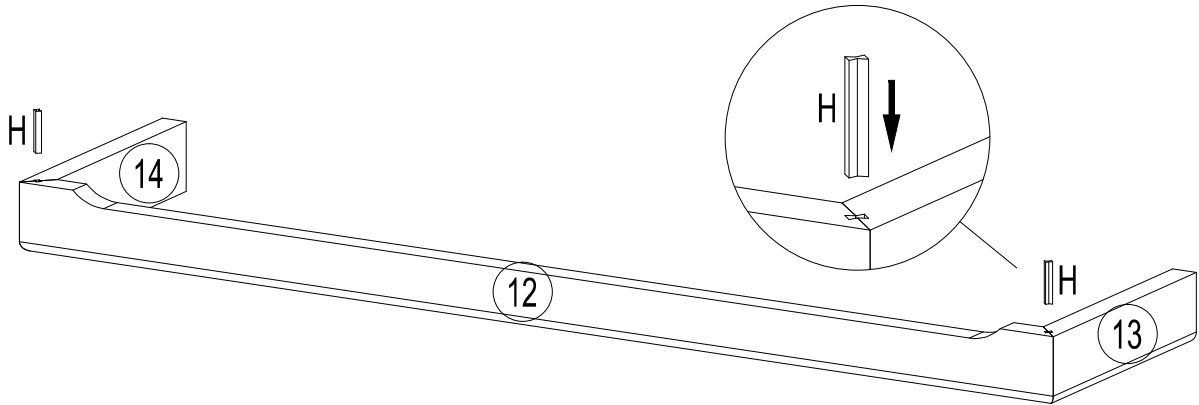
EAC





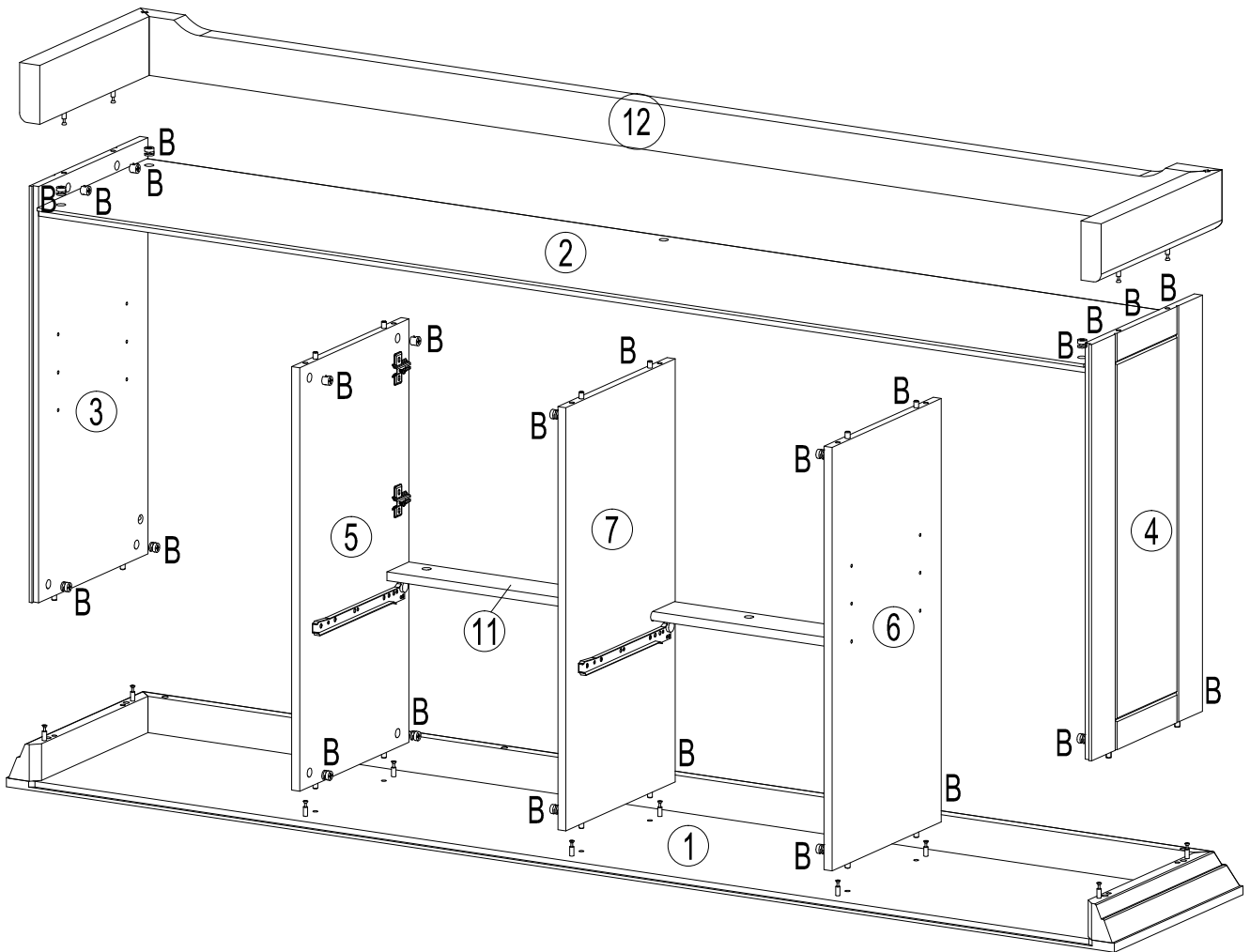
3

H
60 mm x2



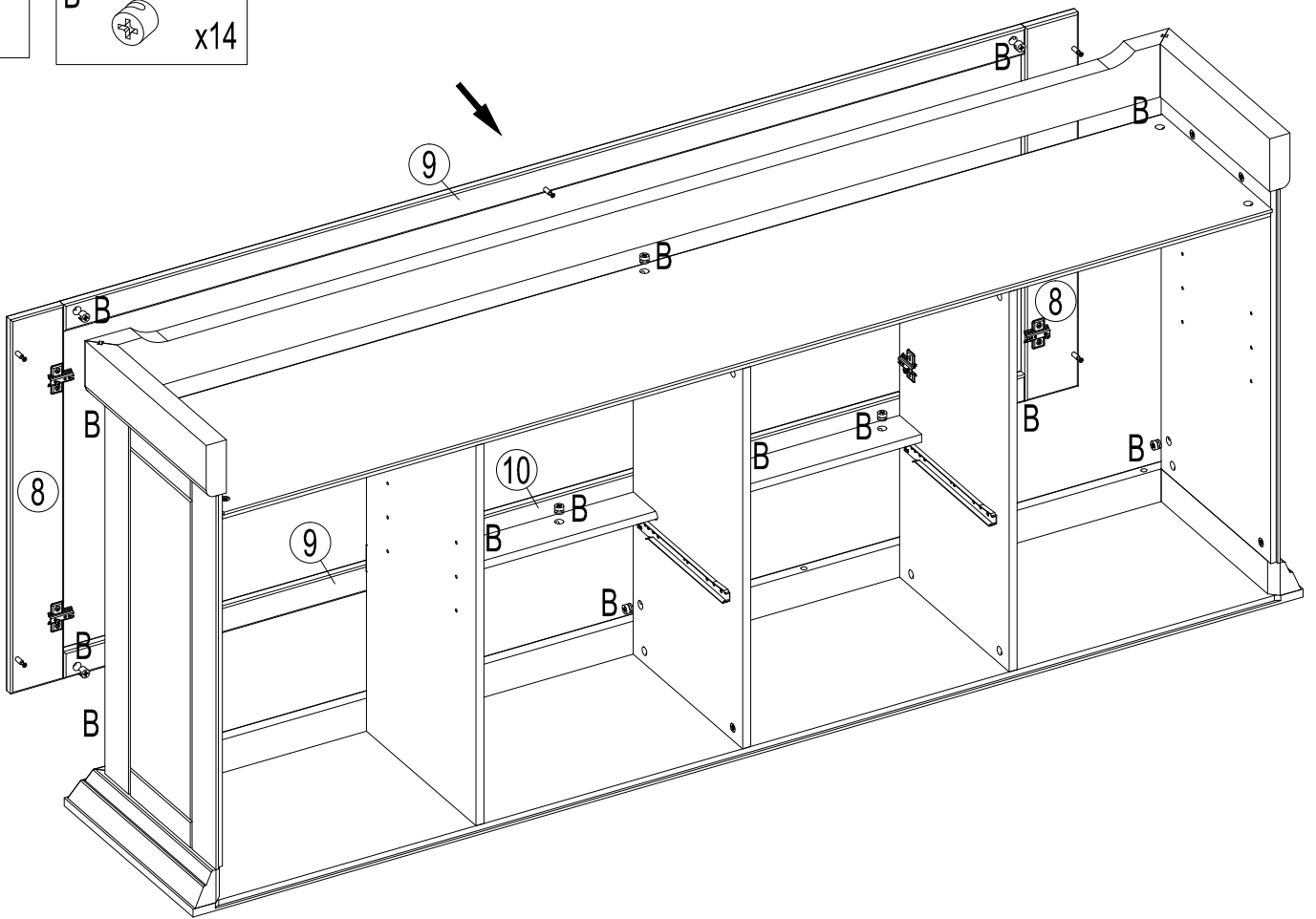
4

B
x24




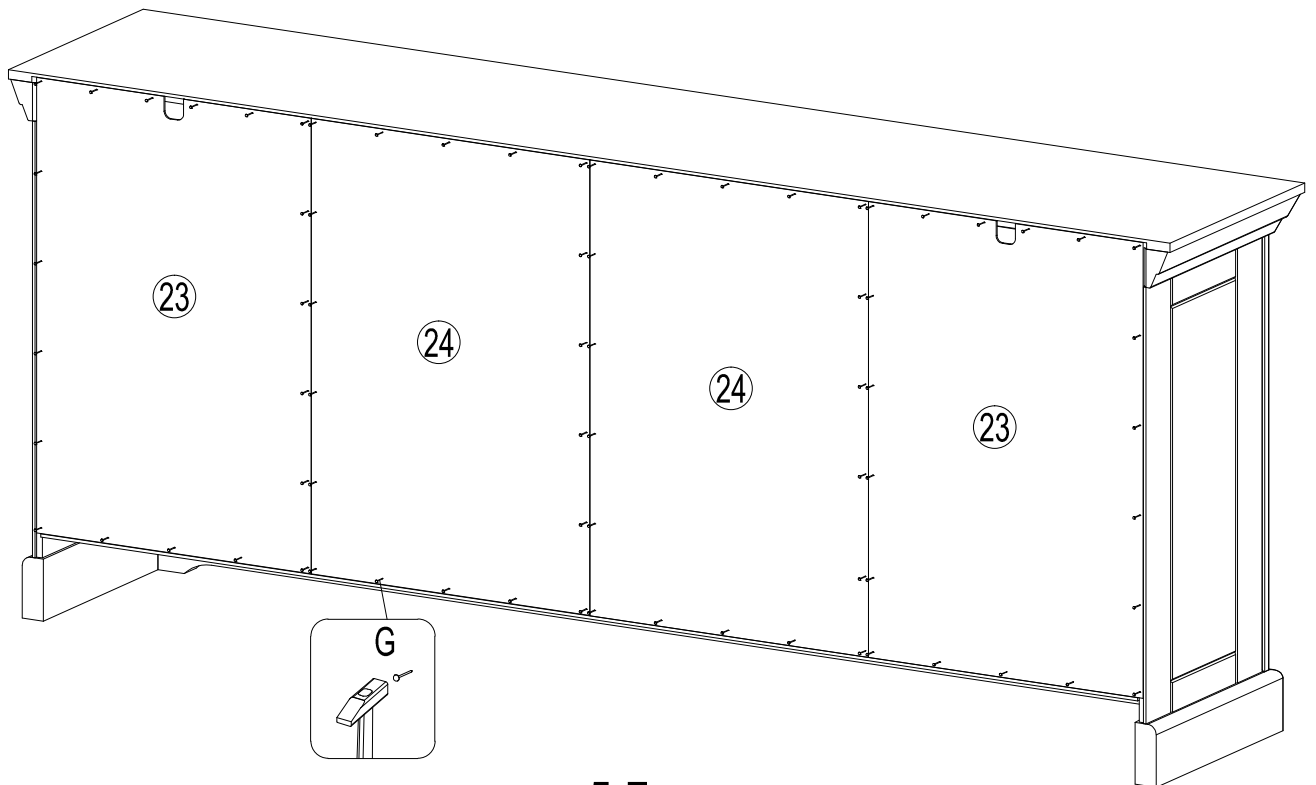
5

B  x14



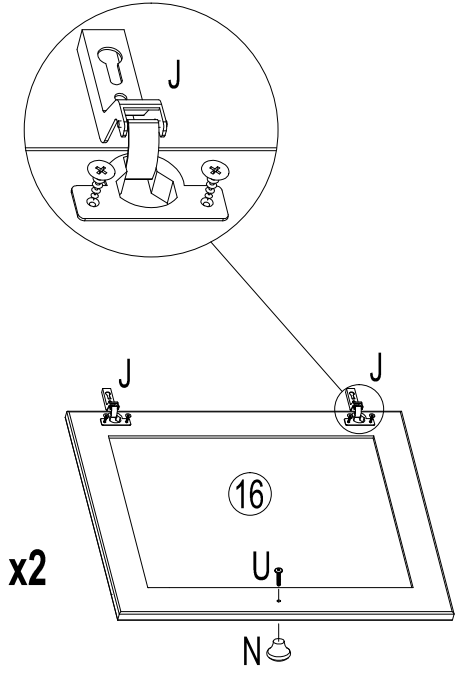
6

G  1.2x20
x75

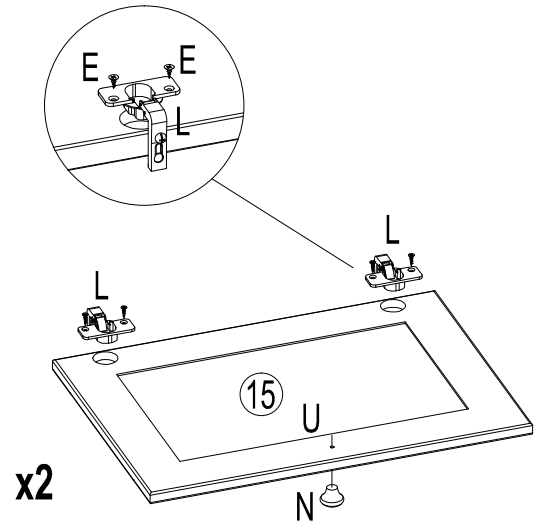


5-7

- | | | | |
|----------|--------------------------|----------------|-------------------------|
| 7 | E
3.5x15
x8 | N
x2 | J
x4 |
| | | | U
M4x22
x2 |

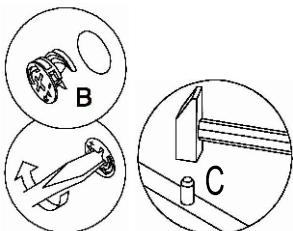
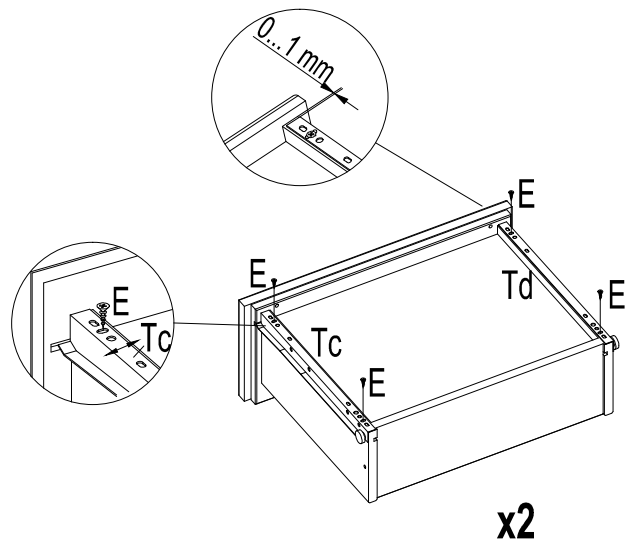
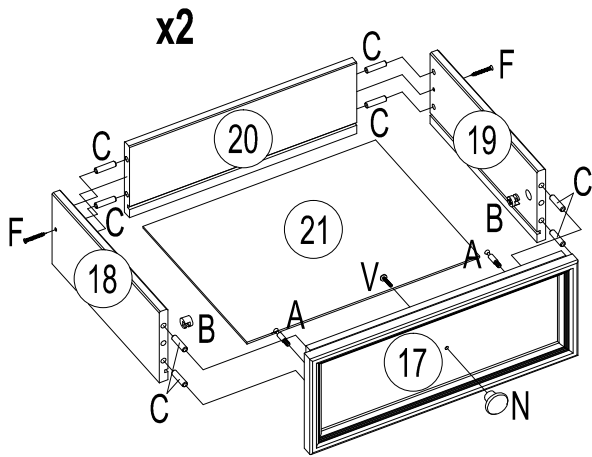


- | | | | |
|----------|--------------------------|----------------|-------------------------|
| 8 | E
3.5x15
x8 | N
x2 | L
x4 |
| | | | U
M4x22
x2 |



- | | | | |
|----------|----------------|----------------|-------------------------|
| 9 | A
x4 | B
x4 | C
8x32
x16 |
|----------|----------------|----------------|-------------------------|

- | | | |
|--------------------------|--------------------------|----------------|
| E
3.5x15
x8 | F
3.5x35
x4 | N
x2 |
| T x2
c) d) | V
M4x18
x2 | |



- | | | | | |
|----|-------------------|-----------------|-----------------|---------|
| 10 | E
3.5x15
x6 | Q
5x50
x2 | R
8x50
x2 | S
x2 |
|----|-------------------|-----------------|-----------------|---------|

